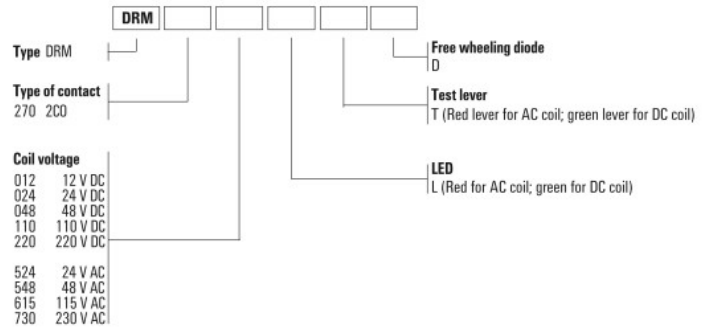


DRM relay
2 CO contact, AC/DC coil



Ordering data

Control side	12 V DC 2CO	24 V DC 2CO	48 V DC 2CO	110 V DC 2CO	220 V DC 2CO
Rated control voltage	12 V DC	24 V DC	48 V DC	110 V DC	220 V DC
Rated current AC / DC	/ 75 mA	/ 37.8 mA	/ 18.5 mA	/ 10 mA	/ 5.2 mA
Power rating	0.9 W	0.9 W	0.9 W	1.2 W	1.2 W
Pull-in/drop-out current, typ.					

Ordering data	12 V DC 2CO	24 V DC 2CO	48 V DC 2CO	110 V DC 2CO	220 V DC 2CO
Standard Type	DRM270012	DRM270024	DRM270048	DRM270110	DRM270220
Order No.	7760056050	7760056051	7760056052	7760056053	7760056054
with LED Type	DRM270012L	DRM270024L	DRM270048L	DRM270110L	DRM270220L
Order No.	7760056059	7760056060	7760056061	7760056062	7760056063
with test button + LED Type	DRM270012LT	DRM270024LT	DRM270048LT	DRM270110LT	DRM270220LT
Order No.	7760056068	7760056069	7760056070	7760056071	7760056072
with LED + Free-wheel diode Type		DRM270024LD			
Order No.		7760056077			

Note	12 V DC 2CO	24 V DC 2CO	48 V DC 2CO	110 V DC 2CO	220 V DC 2CO

Ordering data

Control side	24 V AC 2CO	48 V AC 2CO	115 V AC 2CO	230 V AC 2CO
Rated control voltage	24 V AC	48 V AC	115 V AC	230 V AC
Rated current AC / DC	62.4 mA (50 Hz), 52.2 mA (60 Hz) /	33.3 mA (50 Hz), 27.8 mA (60 Hz) /	12.6 mA (50 Hz), 10.8 mA (60 Hz) /	6.1 mA (50 Hz), 5.2 mA (60 Hz) /
Power rating	1.0...1.2VA (60HZ)	1.0...1.2VA (60HZ)	1.0...1.2VA (60HZ)	1.0...1.2VA (60HZ)
Pull-in/drop-out current, typ.				

Ordering data	24 V AC 2CO	48 V AC 2CO	115 V AC 2CO	230 V AC 2CO
Standard Type	DRM270524	DRM270548	DRM270615	DRM270730
Order No.	7760056055	7760056056	7760056057	7760056058
with LED Type	DRM270524L	DRM270548L	DRM270615L	DRM270730L
Order No.	7760056064	7760056065	7760056066	7760056067
with test button + LED Type	DRM270524LT	DRM270548LT	DRM270615LT	DRM270730LT
Order No.	7760056073	7760056074	7760056075	7760056076
Type				
Order No.				

Note	24 V AC 2CO	48 V AC 2CO	115 V AC 2CO	230 V AC 2CO