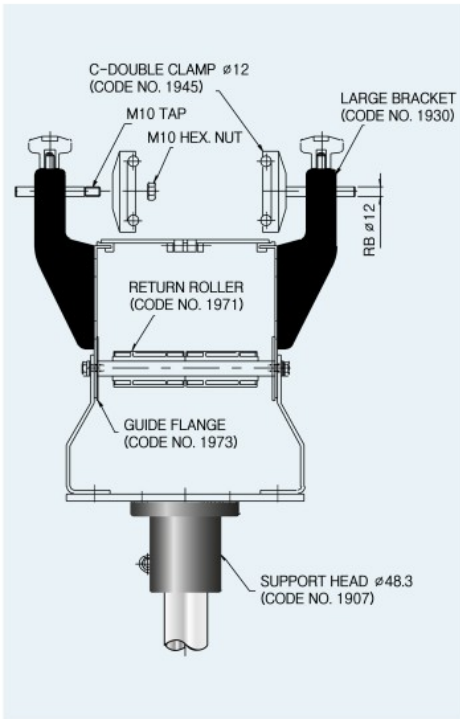
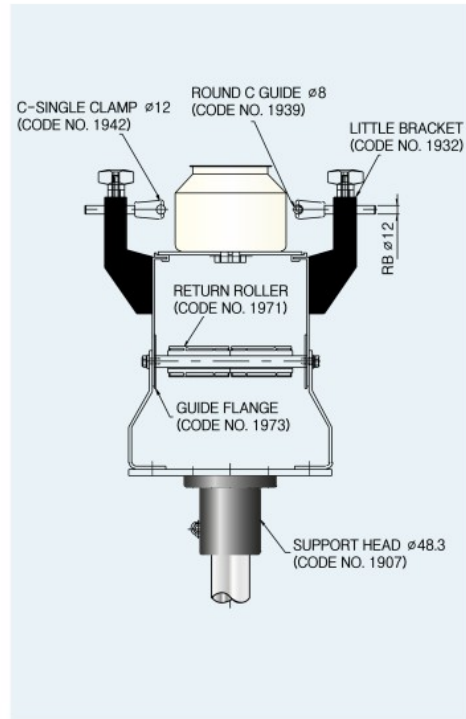


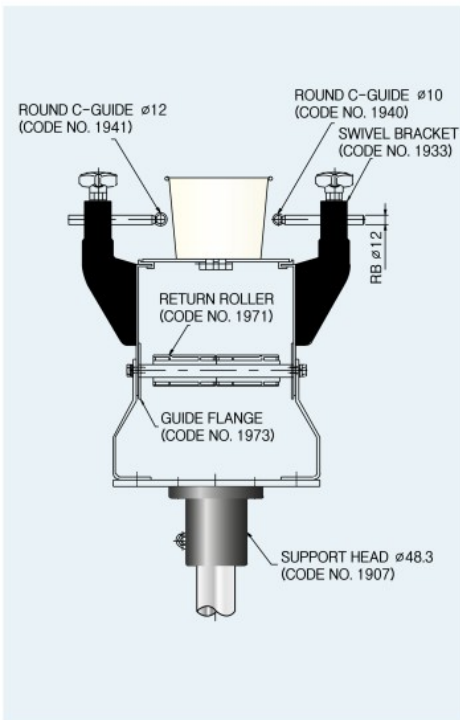
GUIDE & CLAMP SECTION



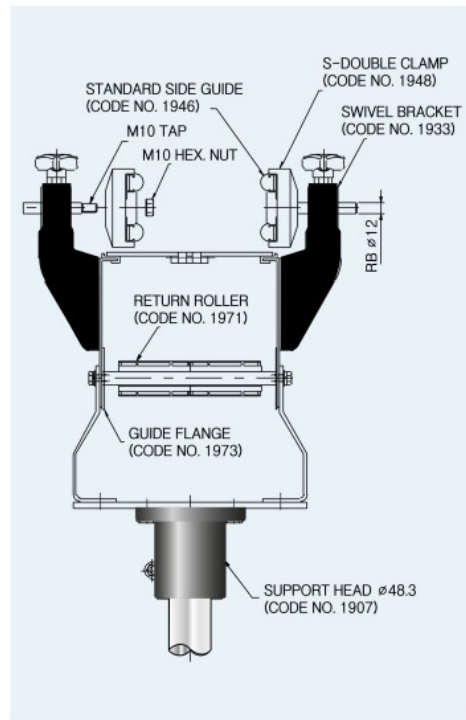
● C-DOUBLE CLAMP $\phi 12$



● C-SINGLE CLAMP/ROUND C GUIDE



● ROUND C GUIDE $\phi 10/\phi 12$



● STANDARD SIDE GUIDE/S-DOUBLE CLAMP