

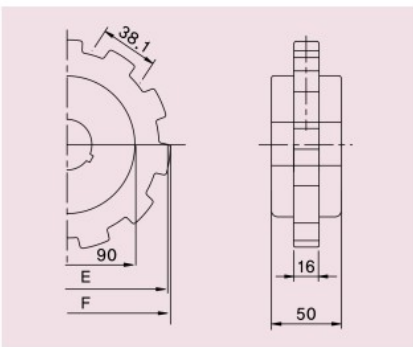
FOR PLASTIC STANDARD RADIUS CHAIN

CURVE



MODU-SPROCKET

Material : Mono Cast Nylon

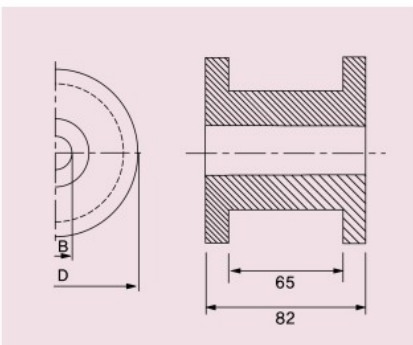


TEETH	BORE	CODE.NO	PITCH	OUTSIDE	WEIGHT
	MM		DIAMETER(E)	DIAMETER(F)	
			MM	MM	Kg/EA
10	25	1571	123.3	122	0.40
	30	1572			
	35	1573			
11	25	1574	135.2	134	0.44
	30	1575			
	35	1576			
12	25	1577	147.2	146	0.53
	30	1578			
	35	1579			



COMBI-IDLER

Material : Polyethylene



FOR TEETH	BORE(B)	CODE.NO	OUTSIDE	WEIGHT
	MM		DIAMETER(D)	
			MM	Kg/EA
10	25	1770	122	0.41
	30	1771		
	35	1772		
11	25	1773	134	0.44
	30	1774		
	35	1775		
12	25	1776	146	0.51
	30	1777		
	35	1778		

Sprocket and Idler Wheels