

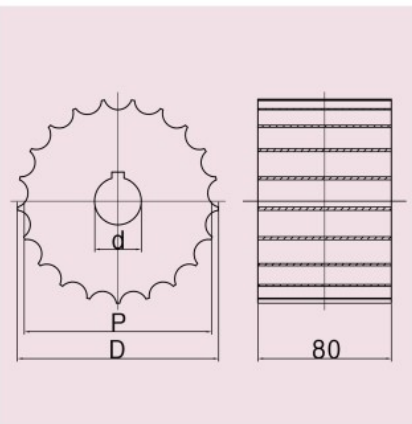
FOR SUS/PLASTIC DOUBLE HINGE CHAIN

STRAIGHT



MODU-SPROCKET

Material : Mono Cast Nylon

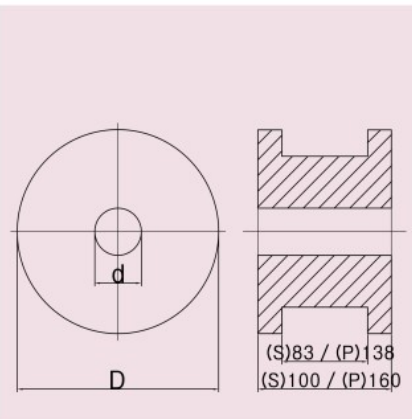


TEETH	BORE (d)	CODE.NO	PITCH DIAMETER(P)	OUTSIDE DIAMETER(D)	WEIGHT kg/EA
	MM		MM	MM	
19	25	1531	117.0	117	0.81
	30	1532			
	35	1533			
21	25	1534	129.26	129.5	1.02
	30	1535			
	35	1536			
23	25	1537	141.22	142	1.22
	30	1538			
	35	1539			
25	25	1654	153.21	154.2	1.45
	30	1655			
	35	1656			



COMBI-IDLER

Material : Polyethylene



FOR TEETH	BORE (d)	CODE.NO (SUS CHAIN / PLASTIC CHAIN)	OUTSIDE DIAMETER(D)	WEIGHT kg/EA
	MM		MM	
19	25	1711-S / 1711-P	117	0.72
	30	1712-S / 1712-P		
	35	1713-S / 1713-P		
21	25	1714-S / 1714-P	129	0.78
	30	1715-S / 1715-P		
	35	1716-S / 1716-P		
23	25	1717-S / 1717-P	141	0.92
	30	1718-S / 1718-P		
	35	1719-S / 1719-P		
25	25	1674-S / 1674-P	153	1.12
	30	1675-S / 1675-P		
	35	1676-S / 1676-P		