

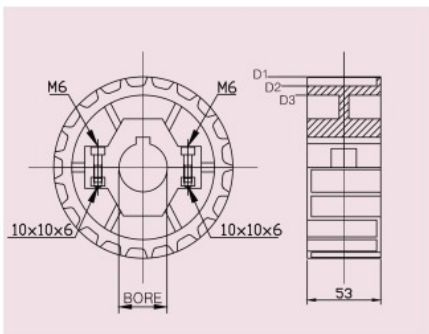
FOR STAINLESS STEEL SINGLE/MAGNETFLEX CHAIN

STRAIGHT /CURVE



SPLIT-SPROCKET

Material : polyamide
zinc plated steel screw
or stainless steel screw



TEETH	BORE	CODE.NO	DIAMETER			WEIGHT kg/EA
	MM		D1	D2	D3	
19	25	5092	117	105	93	0.32
	30	5093				
	35	5094				
21	25	1501	129	116.1	103	0.47
	30	1502				
	35	1503				
23	25	1504	142	128.1	114	0.55
	30	1505				
	35	1506				
25	25	1507	154	140.1	124	0.60
	30	1508				
	35	1509				

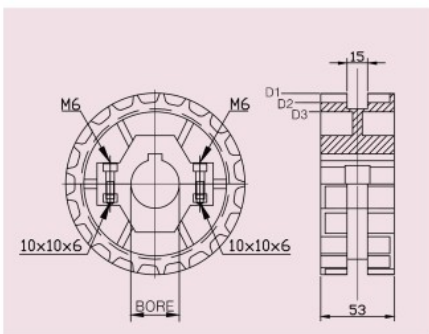
FOR PLASTIC SINGLE HINGE CHAIN

STRAIGHT



SPLIT-SPROCKET

Material : polyamide
zinc plated steel screw
or stainless steel screw



TEETH	BORE	CODE.NO	DIAMETER			WEIGHT kg/EA
	MM		D1	D2	D3	
19	25	5095	117	105	93	0.31
	30	5096				
	35	5097				
21	25	1511	129	116.1	103	0.47
	30	1512				
	35	1513				
23	25	1514	142	128.1	114	0.55
	30	1515				
	35	1516				
25	25	1517	154	140.1	124	0.60
	30	1518				
	35	1519				