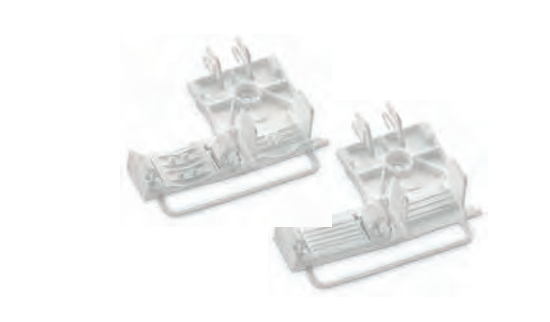
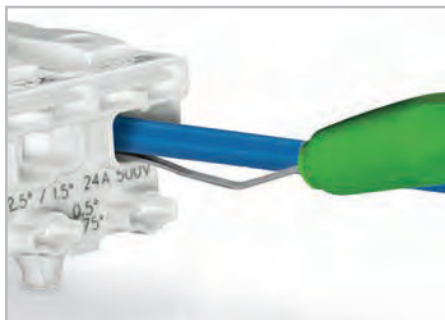


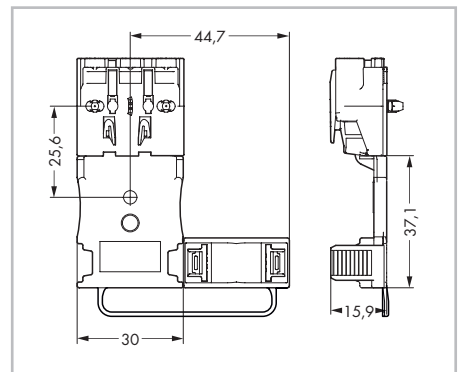
Assembly tool	Extraction tool	Strain relief plate
---------------	-----------------	---------------------



Item No.	Pack. Unit	Item No.	Pack. Unit
Assembly tool, for pressing the snap-in mounting feet into the mounting plate and for safe and easy fitting of the ground contacts		Extraction tool, suitable for removing conductors from PUSH WIRE® contacts	
294-199	1	206-294	1
		○ white	50
		Strain relief plate, with locking clip, for multicore cable: 1 x outer diameter 5.2 ... 12 mm	
		294-364	50
		Strain relief plate, with locking clip, for flat cables and individual conductors: min. 3 x 0.5 mm ² , max. 5 x 2.5 mm ² or 7 x 1.5 mm ²	
		○ white	50
		294-384	50



For removing a connected conductor. Slide the extraction tool beneath the conductor and pull out the conductor along with the extraction tool.



Dimensions in mm