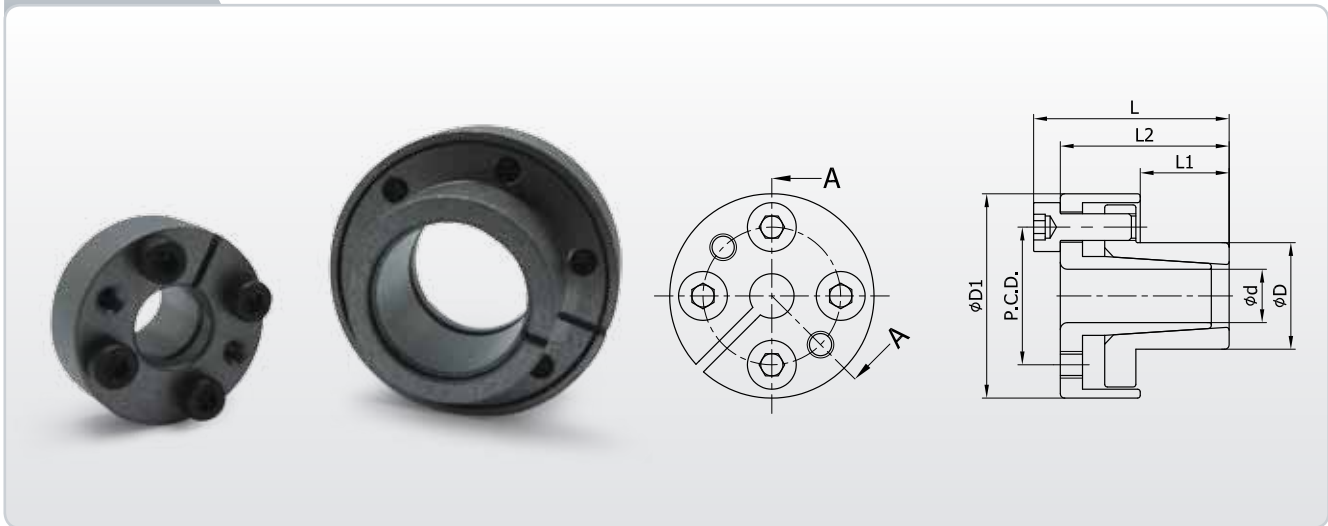


# SAPL-C Series

## Sungil Accurate & Powerful Locking Device

Please, download CAD DATA from [www.sungilfa.com](http://www.sungilfa.com)

### Specification



Model d x D	Dimension (mm)					Max. Allowable Torque (Tc) [N·m]	Allowable Thrust Load (Pt) [kN]	Surface Pressure [N/mm <sup>2</sup> ]		Locking Bolt			Mass [g]
	L <sub>1</sub>	L <sub>2</sub>	L	D <sub>1</sub>	P.C.D			Shaft (Pi)	Hub (Po)	Size	Number	Tightening Torque[N·m]	
SAPL-C-5 x 12	10.0	19.0	22.0	23.0	15.5	9	3.45	188	99	M3x8	4	1.7	36
SAPL-C-6 x 12	10.0	19.0	22.0	23.0	15.5	11	3.45	156	99	M3x8	4	1.7	34
SAPL-C-8 x 15	12.0	23.0	27.0	28.0	19.5	25	6.09	174	116	M4x10	4	4	61
SAPL-C-10 x 18	12.0	23.0	27.0	31.5	22.5	44	8.71	193	134	M4x10	5	4	78
SAPL-C-11 x 18	12.0	23.0	27.0	31.5	22.5	48	8.71	176	134	M4x10	5	4	75
SAPL-C-12 x 20	12.0	23.0	27.0	33.5	24.5	53	8.71	161	121	M4x10	5	4	86
SAPL-C-14 x 22	12.0	23.0	27.0	35.5	26.5	61	8.71	138	110	M4x10	5	4	94
SAPL-C-15 x 23	14.0	27.0	32.0	38.5	28.5	115	15.3	178	150	M5x12	4	8	135
SAPL-C-16 x 24	14.0	27.0	32.0	39.5	29.5	123	15.3	167	144	M5x12	4	8	140
SAPL-C-17 x 25	14.0	27.0	32.0	40.5	30.5	131	15.3	158	138	M5x12	4	8	146
SAPL-C-18 x 26	14.0	30.0	36.0	46.0	33.0	210	23.2	195	198	M6x14	4	14	221
SAPL-C-19 x 27	14.0	30.0	36.0	47.0	34.0	221	23.2	185	191	M6x14	4	14	228
SAPL-C-20 x 28	14.0	30.0	36.0	48.0	35.0	233	23.2	176	184	M6x14	4	14	235
SAPL-C-22 x 32	16.0	32.0	38.0	52.0	39.0	256	23.2	146	141	M6x14	4	14	287
SAPL-C-24 x 34	16.0	32.0	38.0	54.0	41.0	279	23.2	134	133	M6x14	4	14	302
SAPL-C-25 x 34	16.0	32.0	38.0	54.0	41.0	291	23.2	128	133	M6x14	4	14	293
SAPL-C-28 x 39	20.0	36.0	42.0	59.0	46.0	488	34.8	146	139	M6x14	6	14	378
SAPL-C-30 x 41	20.0	36.0	42.0	61.0	48.0	523	34.8	136	132	M6x14	6	14	396

※ Pt(allowable thrust) indicates value when torque is 0, Tc(max allowable torque) indicates value when thrust load is 0. When thrust and torque are combined, use the equation given in design and install manual

※For the best performance, you must remove rust, dust etc. on shaft, hub, inner side of body and cover's outer surface