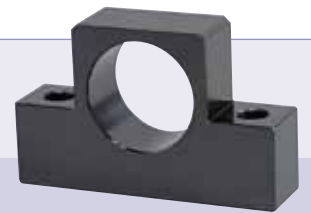


EF Type Support Unit

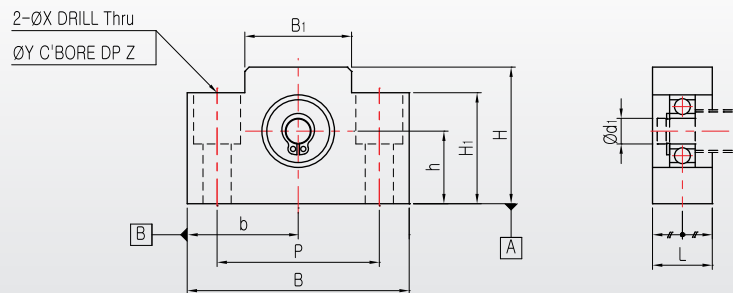
Square Type for Support



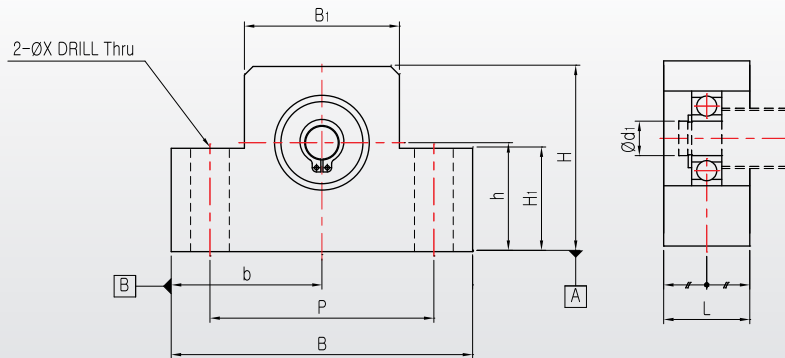
RoHS COMPLIANT **REACH**
The new EU chemicals legislation

Please, download CAD DATA from www.sungilfa.com

EF 6 ~ 8



EF 10 ~ 25



Note

1. The surfaces A and B are reference for installation. Please, use the accurate size spacer if adjusting height is necessary.



Unit : mm

| Model No. | d ₁ | L | B | H | b±0.02 | h±0.02 | B ₁ | H ₁ | P | X | Y | Z | Mass (g) | Bearing | Snap Ring |
|-----------|----------------|----|-----|----|--------|--------|----------------|----------------|----|-----|-----|----|----------|---------|-----------|
| EF6 | 6 | 12 | 42 | 25 | 21 | 13 | 18 | 20 | 30 | 5.5 | 9.5 | 11 | 60 | 606ZZ | C6 |
| EF8 | 6 | 14 | 52 | 32 | 26 | 17 | 25 | 26 | 38 | 6.6 | 11 | 12 | 120 | 606ZZ | C6 |
| EF10 | 8 | 20 | 70 | 43 | 35 | 25 | 36 | 24 | 52 | 9 | - | - | 300 | 608ZZ | C8 |
| EF12 | 10 | 20 | 70 | 43 | 35 | 25 | 36 | 24 | 52 | 9 | - | - | 280 | 6000ZZ | C10 |
| EF15 | 15 | 20 | 80 | 50 | 40 | 30 | 41 | 25 | 60 | 9 | - | - | 320 | 6002ZZ | C15 |
| EF20 | 20 | 26 | 95 | 58 | 47.5 | 30 | 56 | 25 | 75 | 11 | - | - | 570 | 6204ZZ | C20 |
| EF25 | 25 | 30 | 105 | 68 | 52.5 | 35 | 66 | 25 | 85 | 11 | - | - | 880 | 6205ZZ | C25 |