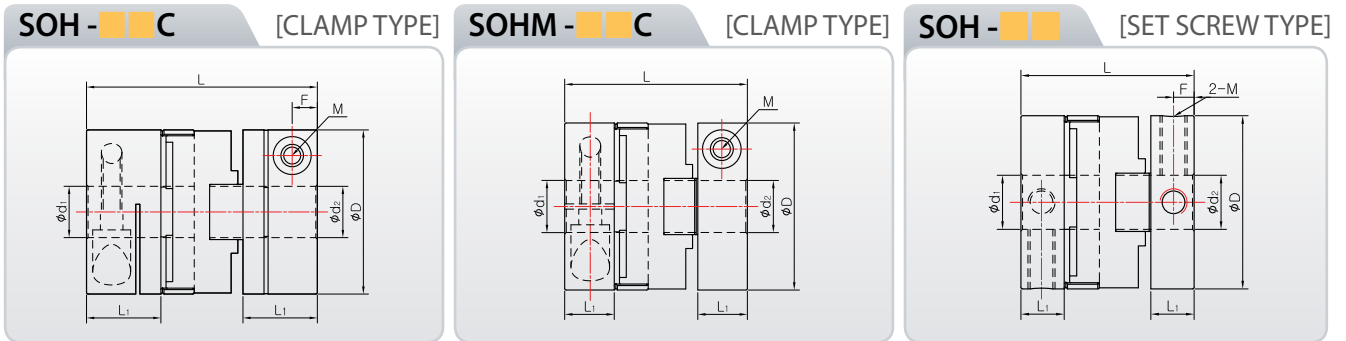


SOH Series Oldham Coupling

Please, download CAD DATA from www.sungilfa.com



Dimensions & Performance

Product Number	Dimension (mm) (±0.3)				Fastening Bolt	Fastening Torque	Max-RPM	Max Torque	Rated Torque	Torsional Stiffness	Moment of Inertia	Mass	Permissible Misalignment		
													Angle	Parallel	End-Play
SOH-16C	16	23.9	7.7	2.7	M2.6	1	13,000	2	1	65	3.07×10^{-7}	8.5	1.5	1	0.1
SOH-20C	20	25.7	8	2.8	M2.6	1	11,000	3	1.5	120	8.16×10^{-7}	14.2	1.5	1.5	0.1
SOH-25C	25.5	32	10.2	3.5	M3	1.7	10,000	5	2.5	200	2.71×10^{-6}	29.3	1.5	2	0.1
SOH-32C	32	44.7	14.4	4.9	M4	3.5	9,000	14	7	620	9.18×10^{-6}	59.6	1.5	2.5	0.15
SOH-43C	43	52	16.5	5.8	M5	8	8,000	25	12.5	1,200	3.4×10^{-5}	127.1	1.5	3.0	0.15
SOH-53C	53	58.3	19.5	6.3	M5	8	7,000	40	20	1,400	9.1×10^{-5}	217	1.5	3.2	0.2
SOH-57C	57	76.2	26.9	7.7	M6	13	6,000	68	34	2,600	1.6×10^{-4}	329	1.5	3.5	0.2
SOHM-12C	11.9	16.5	5	2.5	M2	0.5	15,000	1.8	0.9	55	7.4×10^{-8}	3.5	1.5	1	0.05
SOHM-16C	16	20.7	6.1	3	M2.6	1	13,000	2	1	65	2.6×10^{-7}	7.4	1.5	1	0.1
SOHM-20C	20	21.9	6.1	2.9	M2.6	1	11,000	3	1.5	120	6.8×10^{-7}	12	1.5	1.5	0.1
SOHM-25C	25.5	26.4	7.4	3.7	M3	1.7	10,000	5	2.5	200	2.2×10^{-6}	23	1.5	2	0.1
SOHM-32C	32	34.9	9.5	4.7	M4	3.5	9,000	14	7	620	6.8×10^{-6}	44	1.5	2.5	0.2
SOHM-43C	43	47	14.7	7.3	M5	8	8,000	25	12.5	1,200	3.0×10^{-5}	114	1.5	3.0	0.15
SOHM-53C	53	53.1	16.9	8.3	M5	8	7,400	40	20	1,400	8.3×10^{-5}	197	1.5	3.2	0.15
SOHM-57C	57	56.8	18	8.7	M6	13	6,000	68	34	2,600	1.2×10^{-4}	232	1.5	3.5	0.2
SOHM-70C	73	75.5	25	12.3	M8	30	4,500	120	60	4,800	4.5×10^{-4}	547	1.5	3.5	0.2
SOH-6	5.9	8.4	2.5	1.25	M2	0.3	22,000	0.4	0.2	5	2.5×10^{-9}	0.5	1.5	0.5	0.05
SOH-8	7.9	9.8	2.5	1.25	M2	0.3	20,000	1	0.5	10	8.4×10^{-9}	0.9	1.5	0.7	0.05
SOH-10	9.9	10.4	2.9	1.5	M2	0.3	18,000	1.4	0.7	25	2.4×10^{-8}	1.7	1.5	0.9	0.05
SOH-12	11.9	14.5	3.9	2	M3	0.7	15,000	1.8	0.9	55	6.3×10^{-8}	3	1.5	1	0.05
SOH-16	16	17.9	4.7	2.2	M3	0.7	13,000	2	1	65	2.4×10^{-7}	7	1.5	1	0.1
SOH-20	20	19.9	5.1	2.4	M4	1.7	11,000	3	1.5	120	6.4×10^{-7}	12	1.5	1.5	0.1
SOH-25	25.5	25.4	6.9	3.1	M4	1.7	10,000	5	2.5	200	2.2×10^{-6}	24	1.5	2	0.1
SOH-32	32	31.9	8	3.8	M5	4	9,000	14	7	620	6.3×10^{-6}	41	1.5	2.5	0.2
SOH-43	43	52	16.5	7.1	M5	4	8,000	25	12.5	1,200	3.7×10^{-5}	135	1.5	3.0	0.15
SOH-53	53	58.3	19.5	7.5	M6	7	7,000	40	20	1,400	1.0×10^{-4}	228	1.5	3.2	0.15
SOH-57	57	76.2	26.9	9.9	M8	15	6,000	68	34	2,600	1.8×10^{-4}	345	1.5	3.5	0.2
SOH-70	73	75.5	25	12.2	M8	15	4,500	120	60	4,800	4.5×10^{-4}	567	1.5	3.5	0.2

* Mass and mass moment of inertia are measured with max. bore size

※ SOH-16 and SOH-20 have different number of tightening bolts according to inner bore sizes (1ea or 2ea)

※ One(1) locking bolt is included in SOH6, 8 products.

How to order product



※ Please mark each inner diameter size.

※ When you order 'penetration type', please mark 'penetration-type'