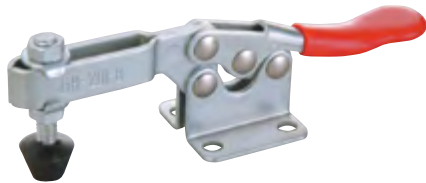


## Series 201-B *Popular!*

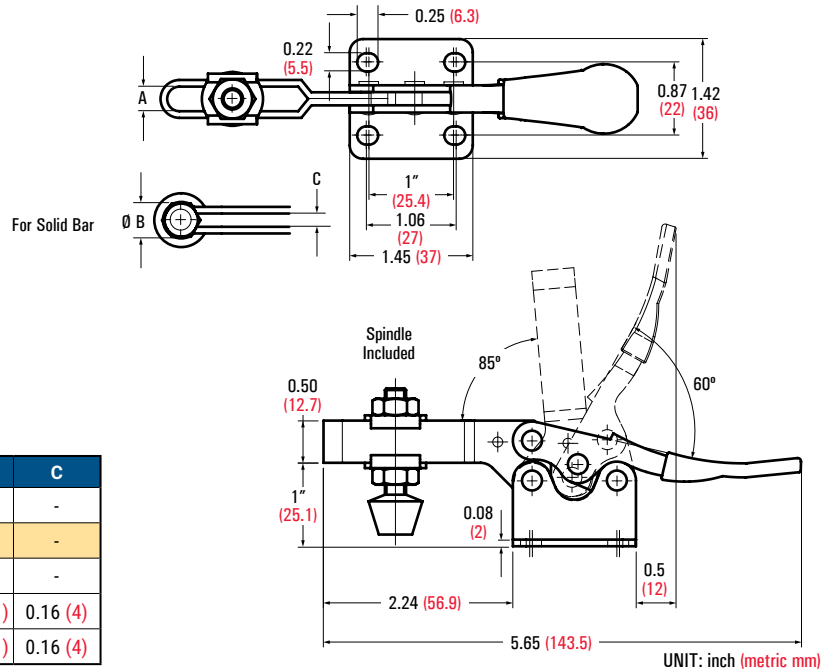
- Cross Ref.: DE-STA-CO Series 215
- Holding Capacity: 200 lbs. (90 kg)
- Weight: 0.29 lb. (130 g)
- Bar opens: 85°, Handle 60°
- Spindle Supplied: GH-FC-14134



**GH-201-B**

Model	Description	A	Ø B	C
GH-201-B	U-Bar, Flanged Base	0.29 (7.4)	-	-
GH-201-BSS	Stainless Steel Model of GH-201-B	0.29 (7.4)	-	-
GH-201-BI	U-Bar, Straight Base	0.29 (7.4)	-	-
GH-201-BS	Solid Bar, Flanged Base	-	0.28 (7.1)	0.16 (4)
GH-201-BSI	Solid Bar, Straight Base	-	0.28 (7.1)	0.16 (4)

UNIT: inch (metric mm)



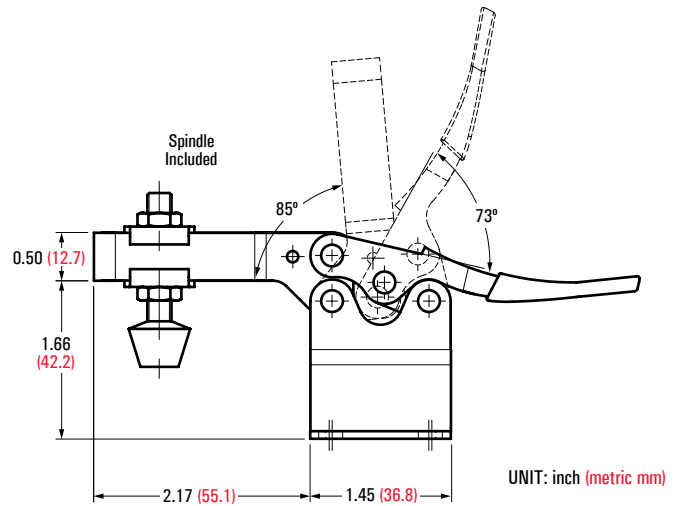
**UNIQUE**

## 201-BHB

- High Base Model of GH-201-B
- Weight: 0.32 lb. (146 g)



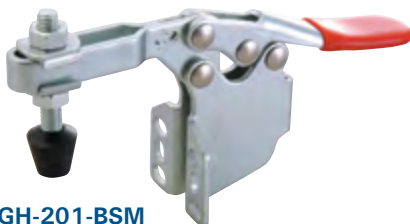
**GH-201-BHB**



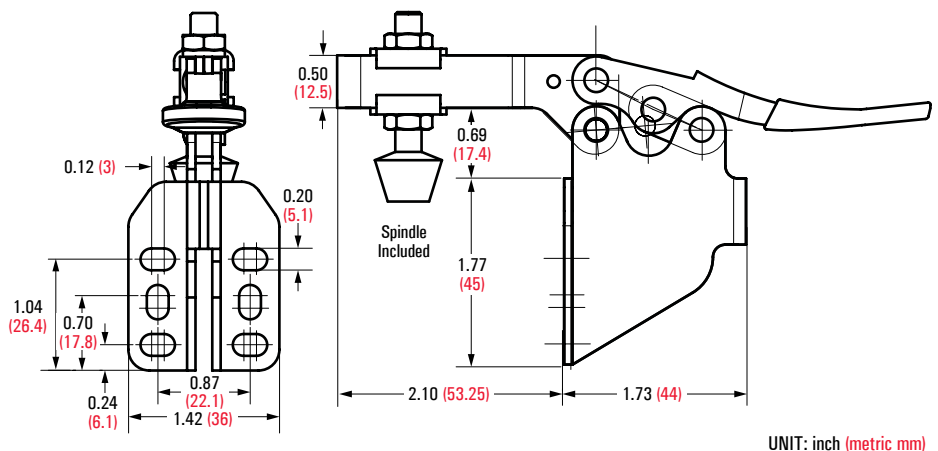
**UNIQUE**

## 201-BSM

- Side Mount Model of GH-201-B
- Weight: 0.36 lb. (163 g)



**GH-201-BSM**



UNIT: inch (metric mm)