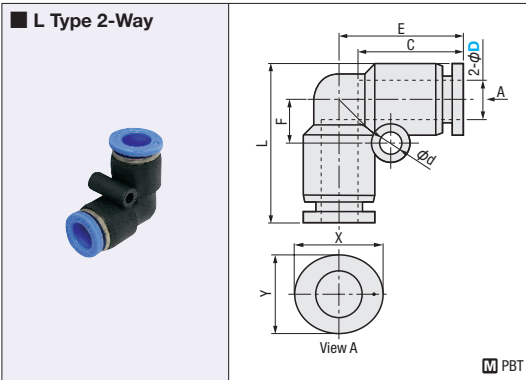
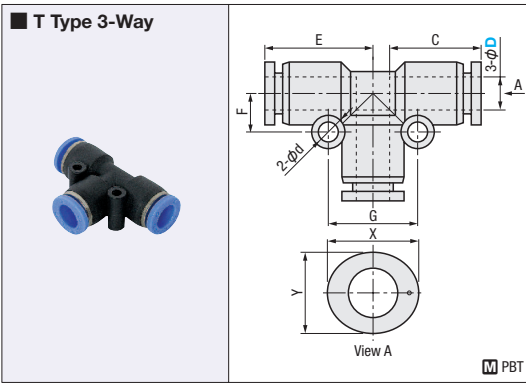


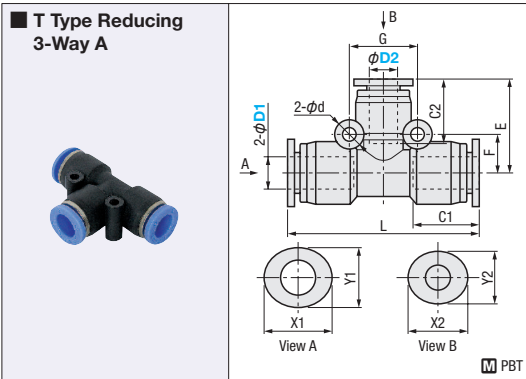
Part Number		B	X	Y	C
Type	D				
EPU	4	33	11.9	10.5	14.9
	6	35.2	13.9	12.5	15.7
	8	38.3	15.9	13.9	18.2
	10	47.4	19.5	17	20.7
	12	48.4	23	20.5	22.9
16	51	27	24	24.5	



Part Number		d	E	F	L	X	Y	C
Type	D							
EPV	4	-	17.5	-	22.7	11.9	10.5	14.9
	6	3.2	19	8	26.4	13.9	12.5	15.7
	8	3.2	22.4	10	30.2	15.9	13.9	18.2
	10	4.2	27.4	12	36.2	19.5	17	20.7
	12	4.3	29.3	13.5	40.2	23	20.5	22.9
	16	5.1	32.5	15.5	45	27	24	24.5



Part Number		d	E	F	G	X	Y	C
Type	D							
EPE	4	3.3	18.5	7	14	11.9	10.5	14.9
	6	3.3	19.3	8	16	13.9	12.5	15.7
	8	3.3	22.4	9	18	15.9	13.9	18.2
	10	4.3	28.1	12	24	19.5	17	20.7
	12	4.3	29.3	13.5	27	23	20.5	22.9
	16	5.1	32.5	15.5	31	27	24	24.5



Part Number		D2	C1	C2	d	E	F	G	L	X1	Y1	X2	Y2
Type	D1												
EPEG	6	4	16	14.9	3.3	19	8	14	38.1	13.9	12.5	11.9	10.5
	8	6	17.8	16	3.3	22	9	16	44.9	15.9	13.9	13.9	12.5
	10	8	21	17.8	4.3	27.5	11	18	55.8	19.5	17	15.9	13.9
	12	10	22.9	21	4.3	28.9	13.5	24	58.6	23	20.5	19.5	17

Specifications (ref.)

Fluid used	air, vacuum
Working pressure range	0~1.0MPa
Negative pressure	-100KPa (10Torr)
Withstand Voltage	1.5MPa
Working temperature range	0~60°C
Suitable hose	nylon and PU



Part Number - D2
EPU4
EPEG6 - 4