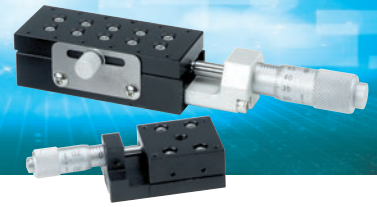


Manual Stage / Aluminum

X-Crossroller Guide 25

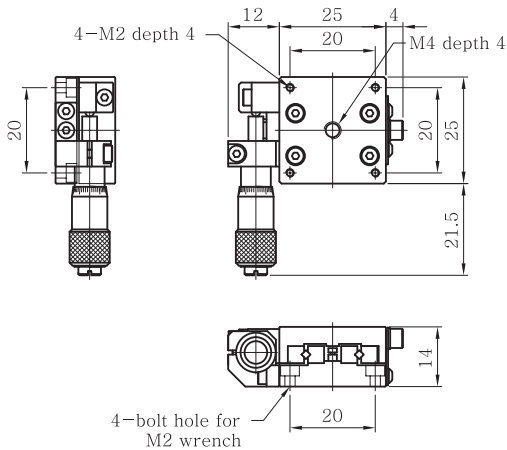


Spec

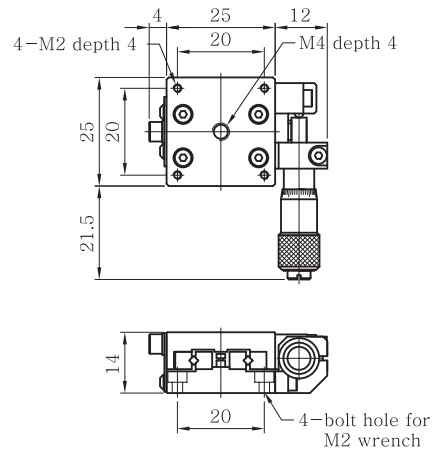
※ This drawing could be changed in order to improve the product without any notice.

Model No	S1-25L	S1-25L	S1-25L
Microhead Position	Left	Right	Center
Stage Surface (mm)	25 × 25		
Stroke (mm)	±3		
Resolution (mm)	10μm / division(0.01)		
Parallelism (mm)	0.02		
Running Parallelism (mm)	0.01		
Straightness (mm)	0.003		
Travel Guide	Crossed Roller Bearing		
Material	Aluminum		
Load Capacity (kg/f)	1		
Weight (kg)	0.045		

S1-25L



S1-25R



S1-25C

