

## 08 Type Analog Meter

Certificates 



### Model No

#### KA-08 Type

①

#### ① Type

- A AC Ammeter
- B AC Voltmeter
- C DC Ammeter
- D DC Voltmeter
- E Signal meter
- F Frequency meter

How to order) KAC-08 DC 200 $\mu$ A

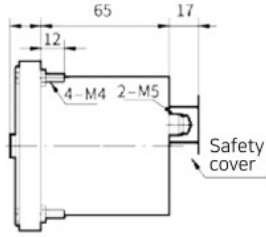
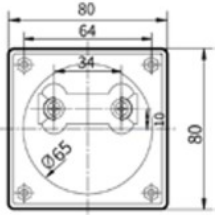
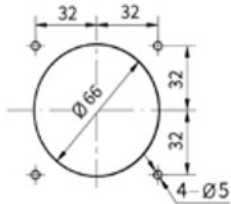
### Technical Data

Type	Model No	Operation	Class	Max input	Min input	Note
AC Ammeter	KAA-08		1.5	5A	1A	①
AC Voltmeter	KAB-08		1.5	600V	10V	②
DC Ammeter	KAC-08		1.5	5A, 200mV	150 $\mu$ A, 50mV	③
DC Voltmeter	KAD-08		1.5	1000V	1V	④
Signal meter	KAE-08		1.5	DC 4 ~ 20mA or DC 10V or AC 18V		⑤
Frequency meter	KAF-08		1.0	45 ~ 65Hz, 45 ~ 55Hz, 55 ~ 65Hz		⑥

- ①. Standard : 5A Input, or use CT
- ②. Standard : 150V, 300V, 600V Input or use PT.
- ③. Standard : 50mV, 60mV input.
- ④. Standard : 15V, 30V, 50V, 100V, or 600V input, or use voltage divider.
- ⑤. Bezel design to be customized.
- ⑥. Standard: 110V, 220V (50/60Hz) input

### Drawing

Unit:mm

Type	Side	Rear	Panel cut	Weight
Bolt fixed				350g