

## 81 Type Analog Meter

Certificates  



### Model No

## KA-81 Type


①

#### ① Type

- |                       |                          |
|-----------------------|--------------------------|
| <b>A</b> AC Ammeter   | <b>D</b> DC Voltmeter    |
| <b>B</b> AC Voltmeter | <b>E</b> Signal meter    |
| <b>C</b> DC Ammeter   | <b>F</b> Frequency meter |

How to order) KAC-81 DC 100A/50mV

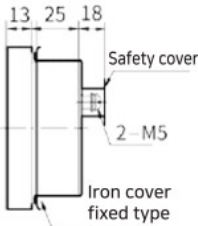
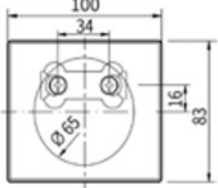
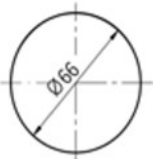
### Technical Data

Type	Model No	Operation	Class	Max input	Min input	Note
AC Ammeter	KAA-81		1.5	5A	0.1A	1
AC Voltmeter	KAB-81		1.5	600V	10V	2
DC Ammeter	KAC-81	 or 	1.5	5A, 200mV	150µA, 50mV	3
DC Voltmeter	KAD-81		1.5	600V	1V	4
Signal meter	KAE-81	 or 	1.5	DC 4 ~ 20mA or DC 10V or AC 18V		5
Frequency meter	KAF-81	 or  	1.0	55 ~ 65Hz external converter, 45 ~ 65Hz internal converter		6

- 1. Standard : 5A Input, or use CT
- 2. Standard : 150V, 300V, 600V Input or use PT.
- 3. Standard : 50mV ,60mV input.
- 4. Standard : 15V, 30V, 50V, 100V, or 600V input, or use voltage divider.
- 5. Bezel design to be customized.
- 6. Standard: 110V, 220V (50/60Hz) input

### Drawing

Unit:mm

Type	Side	Rear	Panel cut	Weight
Iron cover fixed type				140g