

68 Type Analog Meter

Certificates 



Model No

KA-68 Type

①

① Type

- | | |
|-----------------------|--------------------------|
| A AC Ammeter | D DC Voltmeter |
| B AC Voltmeter | E Signal meter |
| C DC Ammeter | F Frequency meter |

How to order) KAB-68 AC 600V

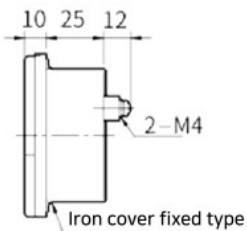
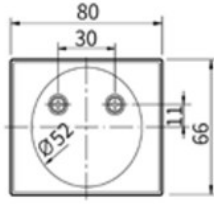
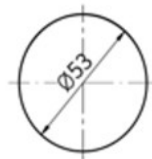
Technical Data

Type	Model No	Operation	Class	Max input	Min input	Note
AC Ammeter	KAA-68		2.5	5A	0.1A	①
AC Voltmeter	KAB-68		2.5	600V	10V	②
DC Ammeter	KAC-68	 or 	2.5	5A, 200mV	150μA, 50mV	③
DC Voltmeter	KAD-68		2.5	600V	1V	④
Signal meter	KAE-68	 or 	2.5	DC 4 ~ 20mA or DC 10V or AC 18V		⑤
Frequency meter	KAF-68	 or  	1.0	55 ~ 65Hz external converter, 45 ~ 65Hz internal converter		⑥

- ①. Standard : 5A Input, or use CT
- ②. Standard : 150V, 300V, 600V Input or use PT.
- ③. Standard : 50mV ,60mV input.
- ④. Standard : 15V, 30V, 50V, 100V, or 600V input, or use voltage divider.
- ⑤. Bezel design to be customized.
- ⑥. Standard: 110V, 220V (50/60Hz) input

Drawing

Unit:mm

Type	Side	Rear	Panel cut	Weight
Iron cover fixed type				130g