

45 Type Analog Meter

Certificates 



Model No




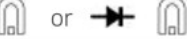

KA_①-45 Type

① Type

- A** AC Ammeter
- B** AC Voltmeter
- C** DC Ammeter
- D** DC Voltmeter
- E** Signal meter
- F** Frequency meter

How to order) KAB-45 AC 150V

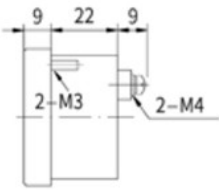
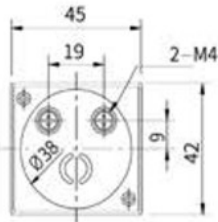
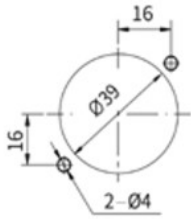
Technical Data

Type	Model No	Operation	Class	Max input	Min input	Note
AC Ammeter	KAA-45		2.5	5A	1A	①
AC Voltmeter	KAB-45		2.5	600V	10V	②
DC Ammeter	KAC-45		2.5	5A, 200mV	150µA, 50mV	③
DC Voltmeter	KAD-45		2.5	600V	1V	④
Signal meter	KAE-45		2.5	DC 4~20mA, DC 10V, AC 18V		⑤
Frequency meter	KAF-45		1.0	55~65Hz external converter		⑥

- ①. Standard : 5A Input, or use CT or TD.
- ②. Standard : 150V, 300V, 600V Input or use PT.
- ③. Standard : 50mV ,60mV input.
- ④. Standard : 15V, 30V, 50V, 100V, or 600V input, or use voltage divider.
- ⑤. Bezel design to be customized.
- ⑥. Standard: 110V, 220V (50/60Hz) input.

Drawing

Unit:mm

Type	Side	Rear	Panel cut	weight
Bolt fixed				40g