

Air Guns (deep hole type) / Air Blast Guns

Stock 44 Items

5-639

Prices displayed include 8% tax.

TRUSCO **Stock 38,650 Items**

Air Gun Set (deep hole type)

Repairing OK

Com Drawing



- Use • Blowing of fine particles, cutting powder, waste textile, water, smoke etc., cooling of heated work.
 Specs • Max Working Pressure: 0.6MPa
 Materials • Main body: Aluminum die cast
 • Nozzle: Aluminum Alloy
 • Suction Port Pipe: PVC
 Set Contents • Hose Band: 2 Pieces
 • Dust Hose: 2m x 1 piece
 • Dust Bag: 1 Piece
 Origin • Japan

User Manual



Order Unit: 1 Set

TRUSCO NAKAYAMA CORPORATION

Order Code	Item No.	Price (per set)	MSRP (per set)	Inspiration Outer Diameter (mm)	Exhaust Outer Diameter (mm)	Total Length (mm)	Air Consumption (L/min)	SPQ (set)	Weight (g/set)
227-5775	MAG-11D	¥24,300	¥26,250	26	25	210	350	1	350
227-5783	MAG-22D	¥24,902	¥26,900	38	32	235	490	1	436

Contact us: 0120-509-849 <http://www.orange-book.com/>

TRUSCO **Stock 38,650 Items**

Air Gun Parts

Com Drawing

Origin • Japan



MAG-11-H (duct hose)



MAG-11-P (suction pipe)

Order Unit: 1 Piece

(Price revision date: Jan, 2017) TRUSCO NAKAYAMA CORPORATION

Order Code	Item No.	Price (per piece)	MSRP (per piece)	Compatible Model	Type	Total Length (mm)	SPQ (piece)	Weight (g)
753-4990	MAG-11-H	¥6,110	¥6,600	MAG-11, MAG-11D	Duct Hose	2000	10	500
753-5007	MAG-11-P	¥2,102	¥2,270	MAG-11	Suction Pipe	150	10	24
753-5015	MAG-22-H	¥7,313	¥7,900	MAG-22, MAG-22D	Duct Hose	2000	10	800
753-5023	MAG-22-P	¥2,102	¥2,270	MAG-22	Suction Pipe	200	10	65

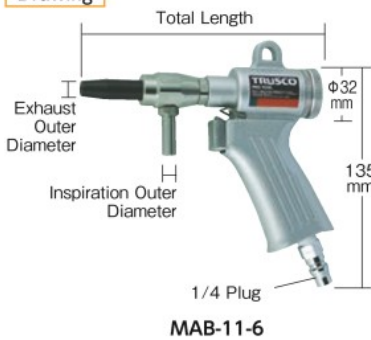
Contact us: 0120-509-849 <http://www.orange-book.com/>

TRUSCO **Stock 38,650 Items**

Air Blast Gun

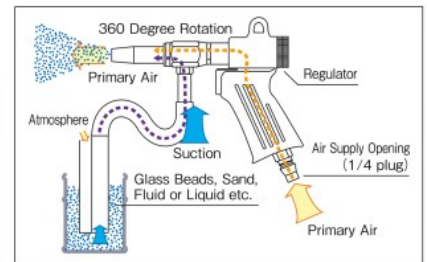
Repairing OK

Com Drawing



- Use • Rust remover, paint removal.
 • Surface treatment of metal, glass and plastic, etc.
 Specs • Max Working Pressure: 0.6MPa
 Materials • Main body: Aluminum die cast
 • Joint Part: Stainless Steel
 Set Contents • Hose Band: 2 Pieces
 • Vinyl Hose (with wire)
 • Pipe
 Origin • Japan

User Manual



Order Unit: 1 Set

TRUSCO NAKAYAMA CORPORATION

Order Code	Item No.	Price (per set)	MSRP (per set)	Inspiration Outer Diameter (mm)	Exhaust Outer Diameter (mm)	Total Length (mm)	Air Consumption (L/min)	SPQ (set)	Weight (g/set)
227-5732	MAB-11-6	¥32,400	¥35,000	9	13	154	350	1	376
227-5741	MAB-11-8	¥32,400	¥35,000	12	15	162	350	1	409

Option

Order Unit: 1 Piece

Order Code	Item No.	Price (per piece)	MSRP (per piece)	Compatible Model	Type	Total Length (mm)	SPQ (piece)	Weight (g)
753-4892	MAB-11-6-B	¥12,626	¥13,640	MAB-11-6	Body	37	10	68
753-4906	MAB-11-6-JN	¥2,555	¥2,760	MAB-11-6	Injection Nozzle	50	10	13
753-4914	MAB-11-6-N	¥4,490	¥4,850	MAB-11-6	Nozzle	9	10	5
753-4922	MAB-11-6-P	¥5,091	¥5,500	MAB-11-6	Joint Pipe	36	10	35
753-4931	MAB-11-8-B	¥12,626	¥13,640	MAB-11-8	Body	40	10	76
753-4949	MAB-11-8-JN	¥2,555	¥2,760	MAB-11-8	Injection Nozzle	60	10	24
753-4957	MAB-11-8-N	¥4,490	¥4,850	MAB-11-8	Nozzle	9	10	5
753-4965	MAB-11-8-P	¥5,091	¥5,500	MAB-11-8	Joint Pipe	44	10	51
753-4973	MAB-11-J	¥6,017	¥6,500	MAB-11-6, 8 Common	Joint	30	10	20
753-4981	MAB-11-O	¥444	¥480	MAB-11-6, 8 Common	O-ring(#5)	-	10	1

Contact us: 0120-509-849 <http://www.orange-book.com/>



MAB-11-6-B (body)



MAB-11-6-JN (injection nozzle)



MAB-11-6-N (nozzle)



MAB-11-6-P (joint pipe)



MAB-11-J (joint)



MAB-11-O (O-ring #5)