

# Cable Covers (for floor)

For Molding Cutters, see p. 4-1268 to 1272

The number next to the logo mark indicates items in stock for each brand.

TRUSCO

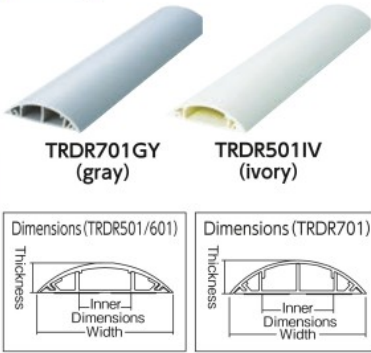


Stock 38,650 Items

## Wiring Cover



Com Drawing



**Features** •Optimum for floor wiring work including wiring for telephones and various OA equipment.  
 •Since its inclination is gentle, it does not become an obstacle to the passage of trolley and person.  
**Use** •To protect the wiring on the floor.  
**Materials** •Polyvinyl chloride (PVC) **Origin** •Taiwan

Order Unit: 1 Piece

TRUSCO NAKAYAMA CORPORATION

Order Code	Item No.	Price (per piece)	MSRP (per piece)	Applicable Cable	W x L (mm x m)	Thickness (mm)	Internal Dimensions (mm)	SPQ (piece)	Weight (g)
415-0171	TRDR501GY	¥ 518	¥ 560	VVF2.0 x 3C x 1 stripe	50 x 1	11	20	65	351
415-0180	TRDR501IV	¥ 518	¥ 560	VVF2.0 x 3C x 1 stripe	50 x 1	11	20	65	351
415-0198	TRDR501W	¥ 518	¥ 560	VVF2.0 x 3C x 1 stripe	50 x 1	11	20	65	351
415-0201	TRDR601GY	¥ 694	¥ 750	VVF1.6 x 2C x 2 stripes	60 x 1	13	30	50	436
415-0210	TRDR601IV	¥ 694	¥ 750	VVF1.6 x 2C x 2 stripes	60 x 1	13	30	50	436
415-0228	TRDR601W	¥ 694	¥ 750	VVF1.6 x 2C x 2 stripes	60 x 1	13	30	50	436
415-0236	TRDR701GY	¥1,037	¥1,120	VVF 2.6 x 3C x 2 stripes	70 x 1	15	40	35	500
415-0244	TRDR701IV	¥1,037	¥1,120	VVF 2.6 x 3C x 2 stripes	70 x 1	15	40	35	500
415-0252	TRDR701W	¥1,037	¥1,120	VVF 2.6 x 3C x 2 stripes	70 x 1	15	40	35	500

Contact us:0120-509-849 <http://www.orange-book.com/>

Connector Terminals

Cilps, Test Reads

Modular Jacks

LAN Cables

Wires and Cables

Plugs Outlets

Switches

Cabling Systems

Cable Covers

Cable Ties

Installation Tools

Cable Mounts

Shrink Tubes

Cable Protecting Supplies

Switchboard Cabinets

Card Holders, Nameplates

Cable Labeling Supplies

Explosion Proof Fittings

TRUSCO

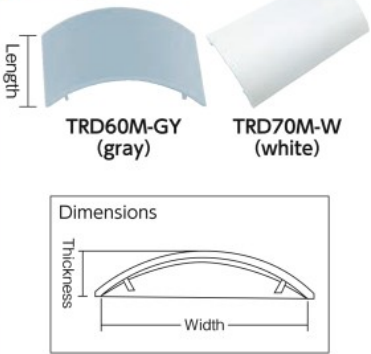


Stock 38,650 Items

## Wiring Cover Connector (connection type)



Com Drawing



**Features** •Braid connection parts for the floor. •Easy to fit and to install.  
**Use** •To protect the wiring on the floor.  
**Materials** •ABS resin **Origin** •Taiwan

Order Unit: 1 Piece

TRUSCO NAKAYAMA CORPORATION

Order Code	Item No.	Price (per piece)	MSRP (per piece)	Applicable Cable	W x L (mm)	Thickness (mm)	SPQ (piece)	Weight (g)
488-9304	TRD50M-GY	¥ 93	¥ 100	VVF2.0 x 3C x 1 stripe	50 x 59.3	11	10	6
488-9312	TRD50M-IV	¥ 93	¥ 100	VVF2.0 x 3C x 1 stripe	50 x 59.3	11	10	6
488-9321	TRD50M-W	¥ 93	¥ 100	VVF2.0 x 3C x 1 stripe	50 x 59.3	11	10	6
488-9428	TRD60M-GY	¥111	¥120	VVF1.6 x 2C x 2 stripes	60 x 59.7	13	10	8
488-9436	TRD60M-IV	¥111	¥120	VVF1.6 x 2C x 2 stripes	60 x 59.7	13	10	8
488-9444	TRD60M-W	¥111	¥120	VVF1.6 x 2C x 2 stripes	60 x 59.7	13	10	8
488-9541	TRD70M-GY	¥130	¥140	VVF 2.6 x 3C x 2 stripes	70 x 70.0	15	10	10
488-9550	TRD70M-IV	¥130	¥140	VVF 2.6 x 3C x 2 stripes	70 x 70.0	15	10	10
488-9568	TRD70M-W	¥130	¥140	VVF 2.6 x 3C x 2 stripes	70 x 70.0	15	10	10

Contact us:0120-509-849 <http://www.orange-book.com/>

TRUSCO

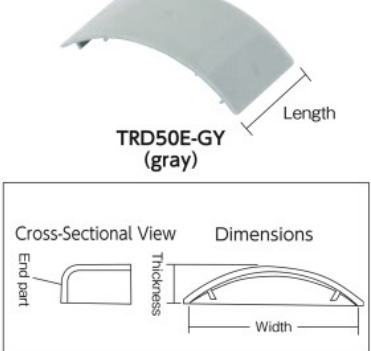


Stock 38,650 Items

## Wiring Cover Connector (end type)



Com Drawing



**Features** •Braid connection parts for the floor. •Easy to fit and to install.  
**Use** •To protect the wiring on the floor.  
**Materials** •ABS resin **Origin** •Taiwan

Order Unit: 1 Piece

TRUSCO NAKAYAMA CORPORATION

Order Code	Item No.	Price (per piece)	MSRP (per piece)	Applicable Cable	W x L (mm)	Thickness (mm)	SPQ (piece)	Weight (g)
488-9274	TRD50E-GY	¥ 93	¥ 100	VVF2.0 x 3C x 1 stripe	50 x 29.8	11	10	4
488-9282	TRD50E-IV	¥ 93	¥ 100	VVF2.0 x 3C x 1 stripe	50 x 29.8	11	10	4
488-9291	TRD50E-W	¥ 93	¥ 100	VVF2.0 x 3C x 1 stripe	50 x 29.8	11	10	4
488-9398	TRD60E-GY	¥111	¥120	VVF1.6 x 2C x 2 stripes	60 x 34.7	13	10	5
488-9401	TRD60E-IV	¥111	¥120	VVF1.6 x 2C x 2 stripes	60 x 34.7	13	10	5
488-9410	TRD60E-W	¥111	¥120	VVF1.6 x 2C x 2 stripes	60 x 34.7	13	10	5
488-9517	TRD70E-GY	¥130	¥140	VVF 2.6 x 3C x 2 stripes	70 x 39.7	15	10	6
488-9525	TRD70E-IV	¥130	¥140	VVF 2.6 x 3C x 2 stripes	70 x 39.7	15	10	6
488-9533	TRD70E-W	¥130	¥140	VVF 2.6 x 3C x 2 stripes	70 x 39.7	15	10	6

Contact us:0120-509-849 <http://www.orange-book.com/>

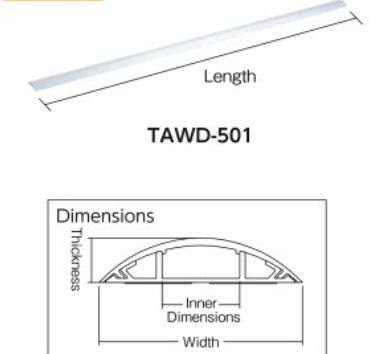
TRUSCO



Stock 38,650 Items

## Aluminum Wiring Cover

Com Drawing



**Features** •Recommended for all kinds of floor wiring work including terminal wiring of OA equipment and LAN construction work.  
 •Excellent in strength and with an aluminum that is resistant to load compare to resin products.  
 •The uneven groove is provided on the surface of the aluminum cover to prevent gloss and make it less slippery.  
**Use** •To protect the wiring on the floor.  
**Specs** •Flame retardant: UL94 V-0 standard product (core part only)  
 •Heat resistant temperature: Up to 85°C  
**Materials** •Cover: Aluminum Alloy •Core: Polyvinyl chloride (PVC)  
**Origin** •Taiwan

Order Unit: 1 Piece

TRUSCO NAKAYAMA CORPORATION

Order Code	Item No.	Price (per piece)	MSRP (per piece)	Applicable Cable	W x L (mm x m)	Thickness (mm)	Internal Dimensions (mm)	SPQ (piece)	Weight (g)
762-9958	TAWD-501	¥1,527	¥1,650	VVF2.0 x 3C x 1 stripe	55.0 x 1	13.0	19.5	40	380
762-9966	TAWD-701	¥2,222	¥2,400	VVF2.6 x 3C x 1 stripe	67.6 x 1	19.0	37.0	30	560
762-9974	TAWD-901	¥2,592	¥2,800	VVF 2.6 x 3C x 2 stripes	88.2 x 1	17.2	45.0	20	670
762-9940	TAWD-1201	¥3,240	¥3,500	VVF2.0 x 4C x 2 stripes	117.0 x 1	23.4	68.0	15	1130

Contact us:0120-509-849 <http://www.orange-book.com/>