

Door Closers

Door Stoppers

Hinges

Slide Bolt Latches

Catches

Handles

Keys

Chains

Wire Ropes

Metal Fittings for Handling

Suspension Metal Fittings

Shelf Peg Metal Fittings

Joint Fittings

Steel Wires

Wire Nets

Inspection Doors, Air Inlet/Outlets

Handrails, Slopes

Corrugated Plates

Plastic Materials

Metal Materials

Construction Materials

Sash Rollers

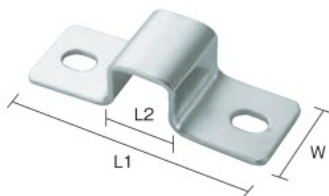
Door Hangers

TRUSCO **Stock 38,650 Items**

"Joint Metal Fitting 24 Type"

Com **eco** Chemical Content Inspection
Com **Drawing**

- Features**
- It is small, lightweight, compact, and has high rigidity, and can be used as a multi-purpose tool for each type of joint, reinforcing, and connection, and it can be also widely utilized for connection brackets of gardening (terrace brackets) and living goods.
 - It can be connected avoiding the protruding parts, and is useful for reinforcing brackets of carpenter works.
- Use**
- A simple and versatile combination.
 - Connecting metal fitting.
 - Car parts mounting metal fitting.
- Specs**
- Long Hole Diameter: 7 x 10mm
- Materials**
- Steel
- Origin**
- Japan



TKSPB type (steel)



TKSPB-16B (steel (black coating finishing))

Steel Materials • Surface Treatment: Chrome Plated Finishing

Order Unit: 1 Piece

TRUSCO NAKAYAMA CORPORATION

Order Code	Item No.	Price (per piece)	MSRP (per piece)	Board Thickness (mm)	Width W (mm)	Length L1 (mm)	Length L2 (mm)	Hole Number	SPQ (piece)	Weight (g)
283-1058	TKSPB-16	¥241	¥260	2	25	70	16.2	2	10	34
283-1066	TKSPB-19	¥249	¥270	2	25	70	19.2	2	10	36

Steel (black coating finishing) Materials • Surface Treatment: Black Coated Finishing

Order Unit: 1 Piece

Order Code	Item No.	Price (per piece)	MSRP (per piece)	Board Thickness (mm)	Width W (mm)	Length L1 (mm)	Length L2 (mm)	Hole Number	SPQ (piece)	Weight (g)
482-1033	TKSPB-16B	¥241	¥260	2	25	70	16.2	2	10	34
482-1041	TKSPB-19B	¥249	¥270	2	25	70	19.2	2	10	36

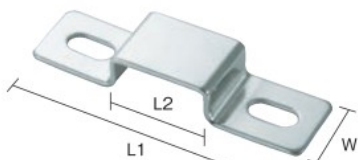
Contact us: 0120-509-849 <http://www.orange-book.com/>

TRUSCO **Stock 38,650 Items**

"Joint Metal Fitting 24 Type"

Com **eco** Chemical Content Inspection
Com **Drawing**

- Features**
- It is small, lightweight, compact, and has high rigidity, and can be used as a multi-purpose tool for each type of joint, reinforcing, and connection, and it can be also widely utilized for connection brackets of gardening (terrace brackets) and living goods.
 - It can be connected avoiding the protruding parts, and is useful for reinforcing brackets of carpenter works.
- Use**
- A simple and versatile combination.
 - Connecting metal fitting.
 - Car parts mounting metal fitting.
- Specs**
- Long Hole Diameter: 8.5 x 17mm
- Materials**
- Steel
- Origin**
- Japan



TK27B-32 (steel)



TK27B-32B (steel (black coating finishing))

Steel Materials • Surface Treatment: Chrome Plated Finishing

Order Unit: 1 Piece

TRUSCO NAKAYAMA CORPORATION

Order Code	Item No.	Price (per piece)	MSRP (per piece)	Board Thickness (mm)	Width W (mm)	Length L1 (mm)	Length L2 (mm)	Hole Number	SPQ (piece)	Weight (g)
283-1091	TK27B-32	¥296	¥320	2.3	27	102	33	2	10	52

Steel (black coating finishing) Materials • Surface Treatment: Black Coated Finishing

Order Unit: 1 Piece

Order Code	Item No.	Price (per piece)	MSRP (per piece)	Board Thickness (mm)	Width W (mm)	Length L1 (mm)	Length L2 (mm)	Hole Number	SPQ (piece)	Weight (g)
482-0843	TK27B-32B	¥296	¥320	2.3	27	102	33	2	10	52

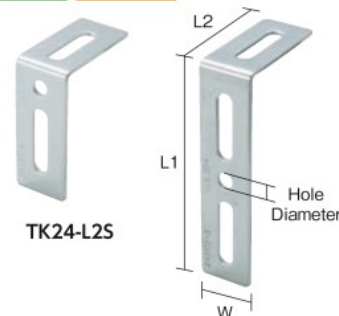
Contact us: 0120-509-849 <http://www.orange-book.com/>

TRUSCO **Stock 38,650 Items**

"Joint Metal Fitting 24 Type L"

Com **eco** Chemical Content Inspection
Com **Drawing**

- Features**
- Easy and fine adjustment is possible even after temporarily attaching in advance when installing equipment.
 - Extensible adjustments are possible with a single screwdriver.
- Use**
- A simple and versatile combination.
 - Connecting metal fitting.
 - Car parts mounting metal fitting.
- Specs**
- Long Hole Diameter: 7 x 30mm
- Materials**
- Stainless Steel (SUS304)
- Origin**
- Japan



TK24-L2S

TK24-L3S

Order Unit: 1 Piece

TRUSCO NAKAYAMA CORPORATION

Order Code	Item No.	Price (per piece)	MSRP (per piece)	Board Thickness (mm)	Width W (mm)	Length L1 (mm)	Length L2 (mm)	Hole Diameter (mm)	Hole Number	SPQ (piece)	Weight (g)
283-1597	TK24-L2S	¥334	¥360	2	24	60	50	6.5	3	20	43
283-1601	TK24-L3S	¥435	¥470	2	24	100	50	6.5	4	20	72

Contact us: 0120-509-849 <http://www.orange-book.com/>