

# Draw Latches

The number next to the logo mark indicates items in stock for each brand.

Machine Tools

O-Rings  
Oil  
Seals

Rubbers

Resins

Metal  
Materials

Carbon  
Fibers

Ceramic  
Materials

Vibration  
Absorber

Adjusters

Plungers

Springs  
for  
Die

Springs

Split  
Pins

Snap  
Rings

Oil  
Gauges

Oil  
Tank  
Caps

Knobs

Lever

Handles  
Grips

Handles

Hinges

Slide  
Rails

Stays

Toggle  
Latches

Fastening  
Parts

Aluminum  
Frames

TRUSCO Stock **38,650** Items

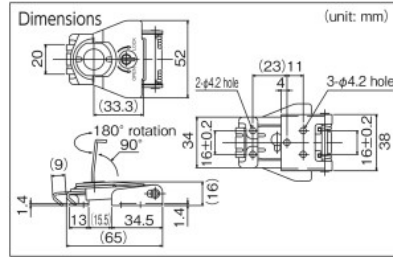
## Rotating Fastener (with key, stainless steel)

Drawing

- Specs
- Body Mounting Hole/Receiving Hole Dimension: 4.2mm
- Materials
- Stainless Steel (SUS304)
- Accessories
- With key
- Origin
- Japan



P-1040



Order Unit: 1 Piece TRUSCO NAKAYAMA CORPORATION

Order Code	Item No.	Price (per piece)	MSRP (per piece)	SPQ (piece)	Weight (g)
778-7138	P-1040	¥2,906	¥3,140	10	117

Contact us: 0120-509-849 <http://www.orange-book.com/>

TRUSCO Stock **38,650** Items

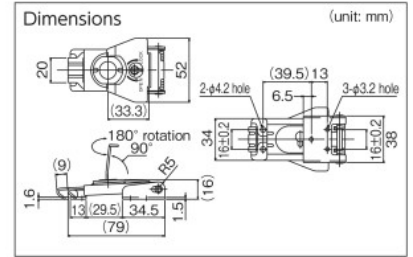
## Rotating Fastener (with key, steel)

Drawing

- Specs
- Body Mounting Hole Dimension: 3.2mm
  - Receiving Hole Dimension: 4.2mm
- Materials
- Cold Rolled Steel Plate (SPCC)
  - Surface Treatment: Chrome Plated Finishing
- Accessories
- With key
- Origin
- Japan



P-1050



Order Unit: 1 Piece TRUSCO NAKAYAMA CORPORATION

Order Code	Item No.	Price (per piece)	MSRP (per piece)	SPQ (piece)	Weight (g)
778-7146	P-1050	¥2,814	¥3,040	10	135

Contact us: 0120-509-849 <http://www.orange-book.com/>

TRUSCO Stock **38,650** Items

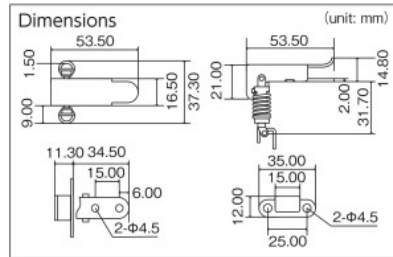
## Corner Catch Clip (spring type, stainless steel)

Drawing

- Specs
- Body Mounting Hole/Receiving Hole Dimension: 4.5mm
- Materials
- Stainless Steel (SUS304)
- Origin
- Japan



P-C54SUS



Order Unit: 1 Piece TRUSCO NAKAYAMA CORPORATION

Order Code	Item No.	Price (per piece)	MSRP (per piece)	SPQ (piece)	Weight (g)
778-7201	P-C54SUS	¥1,018	¥1,100	10	56

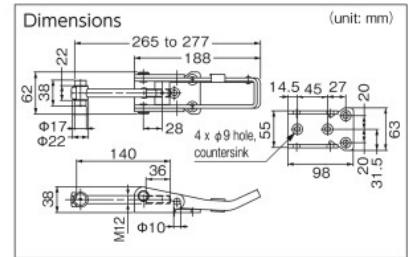
Contact us: 0120-509-849 <http://www.orange-book.com/>

SUGATSUNE Super High Strength Lock Release Prevention Mechanism-equipped Fastener



TF804TLC

- Features
- Equipped with a safety lock to prevent unexpected release.
  - By rotating the screw type latch, it is possible to adjust the latching margin even after it has been attached.
- Specs
- Body Mounting Hole/Receiving Hole Dimension: 9.0mm
- Materials
- Steel
- Origin
- Sweden



Order Unit: 1 Piece SUGATSUNE KOGYO Co.Ltd.

Order Code	Item No.	Price (per piece)	MSRP (per piece)	SPQ (piece)	Weight (g)
836-9071	TF804TLC	¥20,412	¥18,900	25	908

**Warning**  
• The strike plate hook (TF42C) is sold separately.

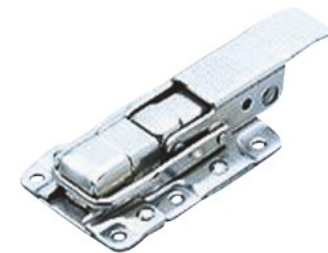
Contact us: 03-3851-1122 <http://www.sugatsune.co.jp/>

SUGATSUNE Stock **766** Items

## Stainless Steel Super High Strength Three Direction Catch Bolt

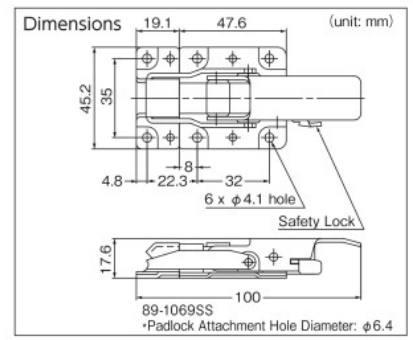
CAD

- Features
- Highly reliable due to a super powerful catch holding strength, even under harsh condition.
  - Resistance to vibration is outstanding as a deadbolt mechanism firmly suppresses vibrations in three direction.
- Specs
- Body Mounting Hole Dimension: 4.1mm
  - Number of Holes: 6
- Materials
- Stainless Steel (SUS304)
- Origin
- England



88-1068SS

(padlock attachment hole-equipped)



Order Unit: 1 Piece

Order Code	Item No.	Price (per piece)	MSRP (per piece)	Reference Tensile Load (kgf)	Specs	SPQ (piece)	Weight (g)
444-3284	88-1068SS	¥10,260	¥9,500	200	Padlock Attachment Hole-equipped φ6.4	50	128
444-3292	89-1069SS	¥10,800	¥10,000	200	Safety Lock-equipped	50	137

(Price revision date: May, 2015) SUGATSUNE KOGYO Co.Ltd.

Contact us: 03-3851-1122 <http://www.sugatsune.co.jp/>