

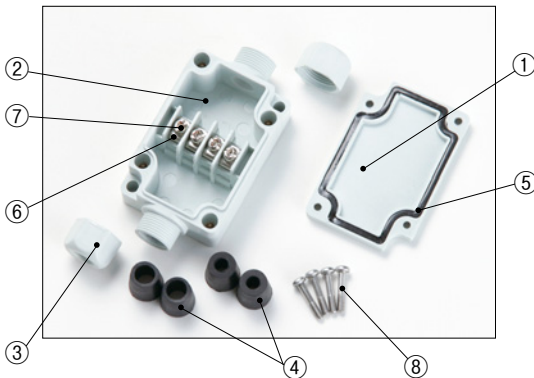
TMC SERIES



Technical data

Protection class IP65
Operating temperature -20°C ~ +75°C

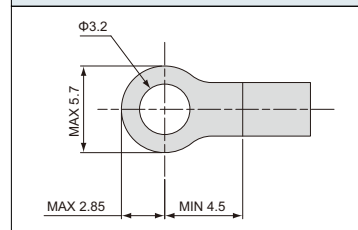
TMC TERMINAL BLOCK JUNCTION BOX



FEATURE

- Integrated junction box which is consisting of cable glands and a terminal block.
- Suitable for industrial facilities, power cable joints, wiring for motors or sensors, and so on.
- IP65 rated and PBT is applied as the box material due to the excellent in oil resistance.
- Prepared 3, 4, and 6 pole type.
- 2pcs each of $\Phi 5$ and $\Phi 7.4$ rubber cable bushes come with a junction box.

Applicable crimp terminal R1.25-3



Terminal Block Specification

Rated voltage	250V
Rated current	15A
Applicable wire	1.25mm ²
Standard tightening torque	0.5N · m

Components

Ref. #	Part name	Pcs	Material	Color / Finish
1	Cover	1	PBT (UL94V-0)	Light gray · Black
2	Base	1	PBT (UL94V-0)	Light gray · Black
3	Cable cap	2	PBT (UL94V-0)	Light gray · Black
4	Rubber bush	2 pairs	EPDM	Black
5	Gasket	1	Polyurethan	Black
6	Conductive plate	3-6	Brass	Nickel plated
7	Terminal screw	3-6	Steel M3	Nickel plated
8	Cover screw	4	Stainless steel M3	Unfinished

Accessories (Optional parts)

