

PMF SERIES

Ventilation parts

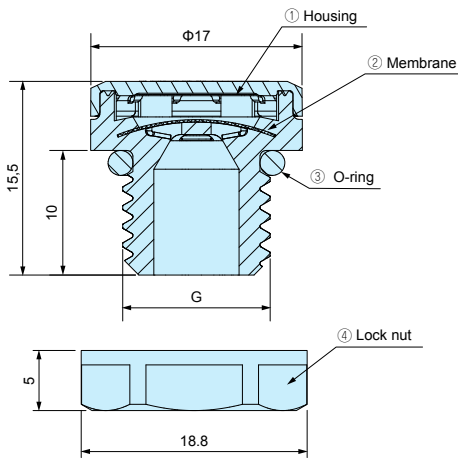
PMF-12 PROTECTIVE VENT



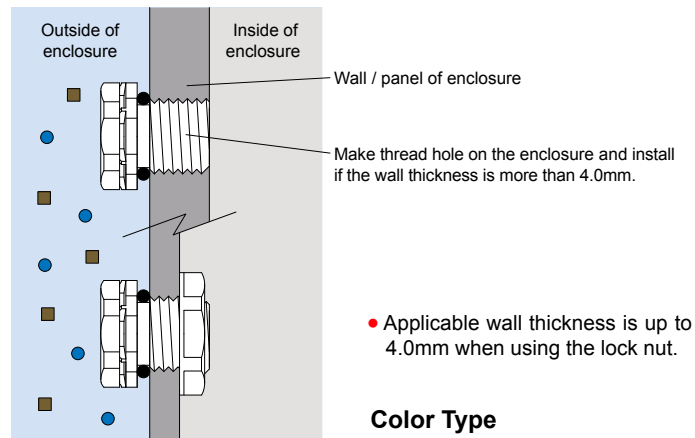
Application

- Protective Vents reliably block ingress of wide range of contaminants, from rain and insects to dirt, dust, sand and other particulates, and enable water vapor molecules to diffuse through the microporous membrane, and pass freely out of the enclosure.
- IP68 protection class (2 meters / 60 min.) and -40°C to +125°C operating temp. range. Best to use under the tough environment.
- Installing on the side face of enclosures is effective for outdoor use.

Dimensions



Installation drawing



- Applicable wall thickness is up to 4.0mm when using the lock nut.

Color Type

| Color code | Color |
|------------|--------------------|
| S | Light gray RAL7035 |
| B | Black RAL9011 |

Technical data

| Part no. | PMF-12□ | PMF-12HA□ |
|---------------------------|---|------------------------------|
| Typical airflow | 450ml / min (dp = 70 mbar) | 2,000ml / min (dp = 70 mbar) |
| Water entry pressure | 0.6 bar / 30 sec | 0.3 bar / 30 sec |
| Recommended torque | 0.6 ~ 0.8 Nm | |
| Environmental performance | IEC529, 2nd (Protection class) : IP66 · IP67 · IP68 (Immersion : 2 meters / 1h) · IP69K IEC60068-2-1, 2, 14 (Heat resistance) : -40°C~+125°C IEC600-2-78 (Humidity testing) : 85°C · 85% humidity - 1,000 hours UL94V-0 f1 (Flame resistant) | |

Part no. / Components

• Please suffix color code at the end of part number □ when ordering PMF series

| Part no. | Material | | | | G | | SW | Sales unit |
|-----------|--------------------|------------|----------|--------------|-------------|------------|----|------------|
| | ① Housing | ② Membrane | ③ O-ring | ④ Lock nut | Thread size | Mount hole | | |
| PMF-12□ | PA6 GF10%(UL94V-0) | PTFE | Silicone | PA6(UL94V-2) | M12×1.5 | Φ12.2 | 17 | 1 |
| PMF-12HA□ | PA6 GF10%(UL94V-0) | PTFE | Silicone | PA6(UL94V-2) | M12×1.5 | Φ12.2 | 17 | 1 |