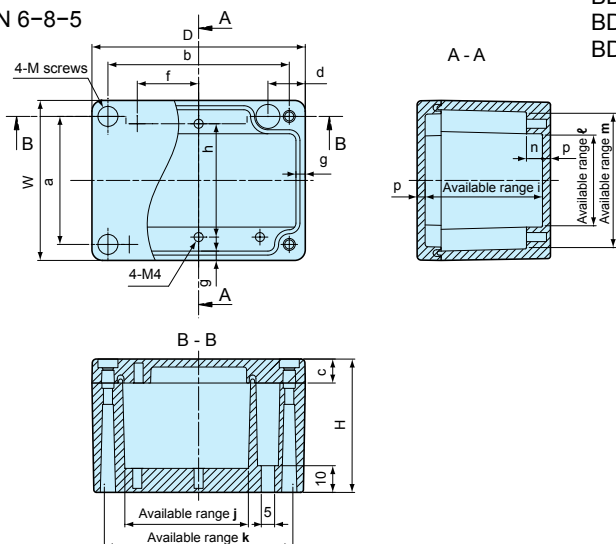


BDN SERIES

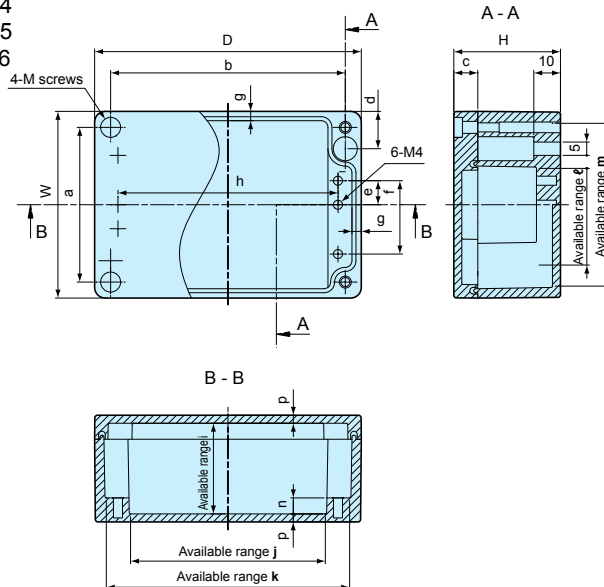
BDN dimensions

• CAD data is downloadable from our website.

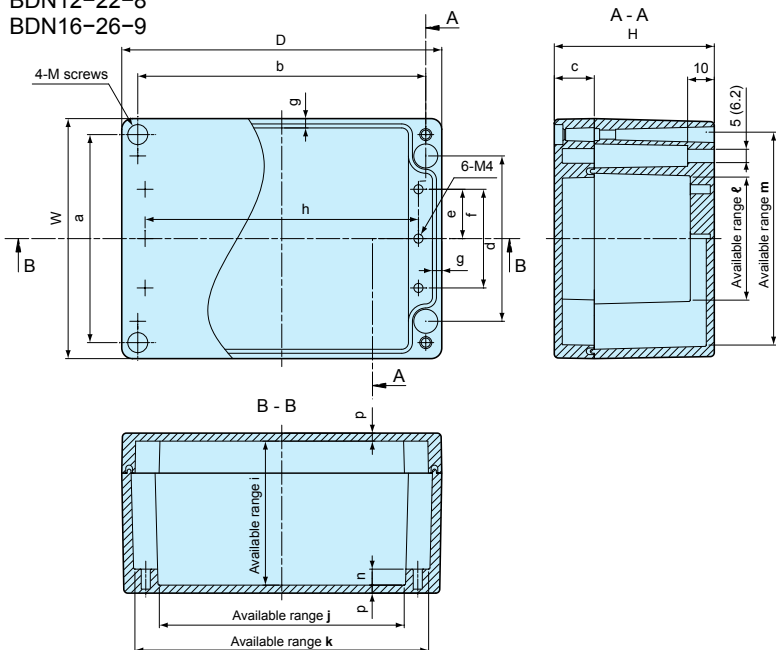
BDN 6-8-5



BDN 7-10-4
BDN 9-13-5
BDN11-16-6



BDN 9- 9-6
BDN10-14-7
BDN12-22-8
BDN16-26-9



※ () dimensions = BDN12-22-8
BDN16-26-9

Color Type

Color code	Top cover · Base
G	Light gray
N	Unfinished

Part no. / Dimensions

- Please suffix color code at the end of part number □ when ordering BDN series.
- Weight tolerance ± 5%, depending on the molding condition.

Part no.	W	D	H	a	b	c	Weight (g)
BDN 6- 8-5□	60	80	50	48	68	9	240
BDN 7-10-4□	70	100	40	58	88	9	250
BDN 9- 9-6□	90	90	60	78	78	15	395
BDN 9-13-5□	90	130	50	78	118	9	420
BDN10-14-7□	100	140	70	88	128	15	635
BDN11-16-6□	110	160	60	98	148	15	640
BDN12-22-8□	120	220	80	105	205	20	1,155
BDN16-26-9□	160	260	90	140	240	20	2,145

Part no.	d	e	f	g	h	i	j	k	ℓ	m	n	p	M
BDN 6- 8-5□	14	—	23	3.5	42.5	44	45	71	33	51	6	3	M4
BDN 7-10-4□	14	11	31	3	85	34	75	92.5	38	62.5	6	3	M4
BDN 9- 9-6□	62	18.5	37	3.5	72	54	62	80	45	80	6	3	M4
BDN 9-13-5□	14	19	47.5	3.5	112.5	44	104	121	56	81	6	3	M4
BDN10-14-7□	72	24	48	3.5	121	64	111	130	56	90	6	3	M4
BDN11-16-6□	14	29	67.5	3.5	142.5	54	134	151	76	101	6	3	M4
BDN12-22-8□	84.6	28	56	3.9	196	74	183	206	62	105	6	3	M5
BDN16-26-9□	110	36	72	4.8	230	82	216	247	87	146	9	4	M6