

CBF SERIES

MS·MSN·MSY·MSR Optional parts

CBF CABLE HOOK



FEATURE

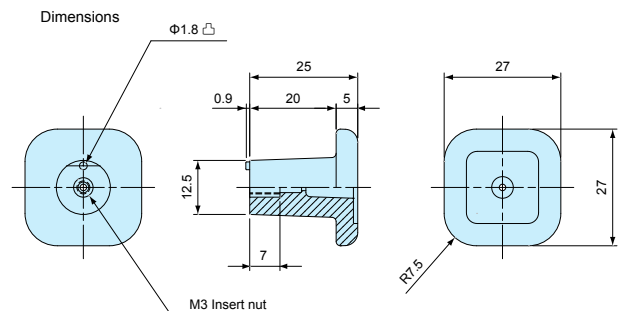
- Require 1.0 ~ 3.0mm thickness of panel to install.

Part no. / Dimensions

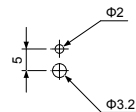
1pack = 4pcs

Part no.	Color	Material	Sales unit
CBF-1G	Gray	POM	4
CBF-1B	Black	POM	4

※ M3 × 8 Screws attached.



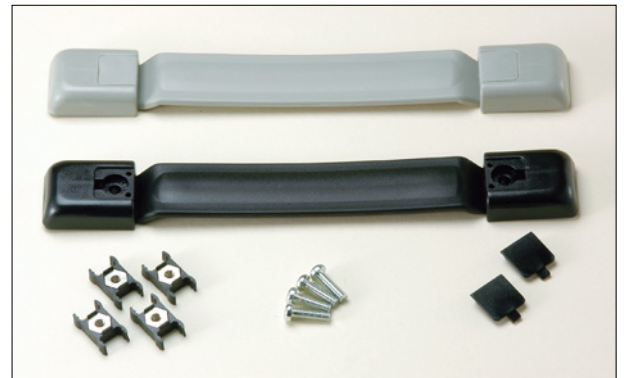
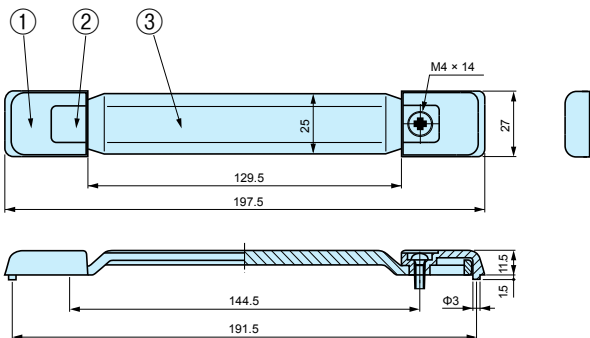
Mounting hole dimension



MY SERIES

MS Optional parts

MY CARRYING HANDLE



Components

1pack = 1set

Ref. #	Part name	Pcs	Material	Color / Finish
1	Holder	2	PC + ABS	Gray · Black
2	Blind cap	2	PE + Elastmer	Gray · Black
3	Grip	1	PE + Elastmer	Gray · Black
-	Screw	2	Steel M4 x 14	Trivalent chromate
-	Slide nut	2	Brass / PE	Nickel / Black

Part no. / Dimensions

Part no.	Color	Max load
MY-197G	Gray	20kgf
MY-197B	Black	20kgf

• Unsuitable for D = 160mm enclosure of MS series.