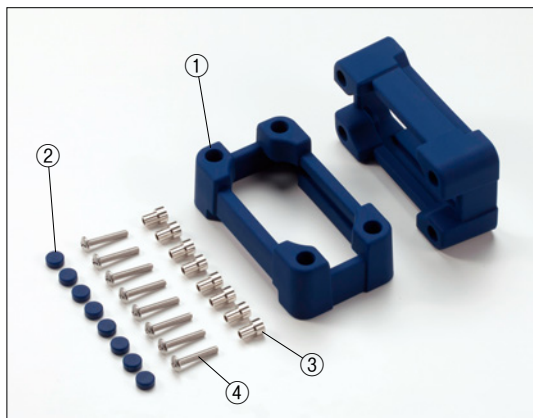


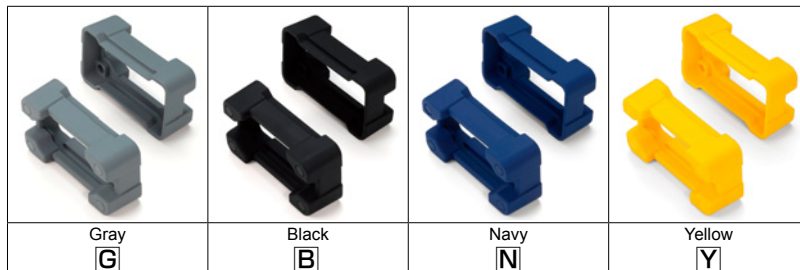
AWSP SERIES

AWN Accessories (Optional parts)

AWSP SILICONE PROTECTOR



Color Code

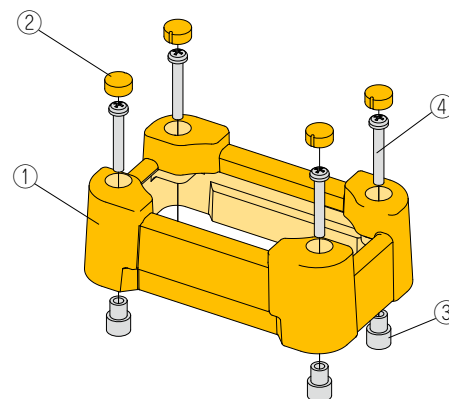
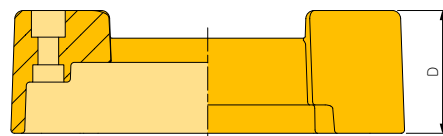
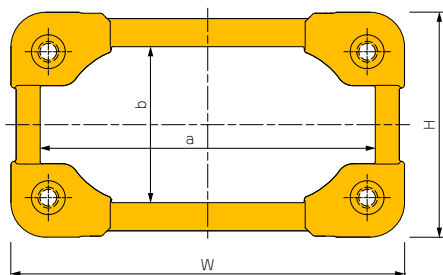
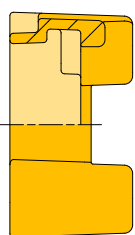


FEATURE

- Silicone Protector for AWN series, 4 colors available. Set of 2 pcs.
- Protect the switches and/or the connectors on the panels from the impact of falling down etc..

Dimensions

• CAD data is downloadable from our website. Please use the data for your designing.



Components

Ref. #	Part name	Pcs	Material	Color / Finish
1	Protector	2	Silicone	Gray · Black · Navy · Yellow
2	Blind Cap	8	Silicone	Gray · Black · Navy · Yellow
3	Spacer	8	Brass	Nickel Plated
4	Screw	8	Stainless steel	Unfinished

• Please suffix color code for □ when ordering.

Part no.	W	H	D	a	b	Screw size	Suitable enclosure
AWSP 7-7□	72.4	73.6	31	58.4	56.6	M3	AWN 7-7-□
AWSP 8-5□	87.4	53.6	31	73.4	36.6	M3	AWN 8-5-□
AWSP 9-9□	93.9	95.1	35.5	76.9	75.1	M4	AWN 9-9-□
AWSP11-6□	113.9	65.1	35.5	96.9	45.1	M4	AWN11-6-□
AWSP12-8□	127.6	80.1	35.5	110.6	60.1	M4	AWN12-8-□
AWSP16-9□	163.9	90.1	35.5	145.9	69.1	M4	AWN16-9-□
AWSP21-9□	213.9	90.1	39.5	192.9	66.1	M5	AWN21-9-□