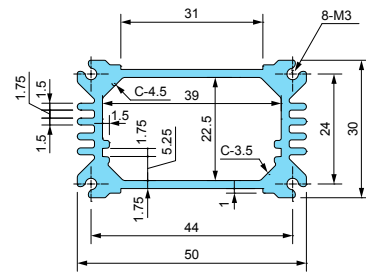
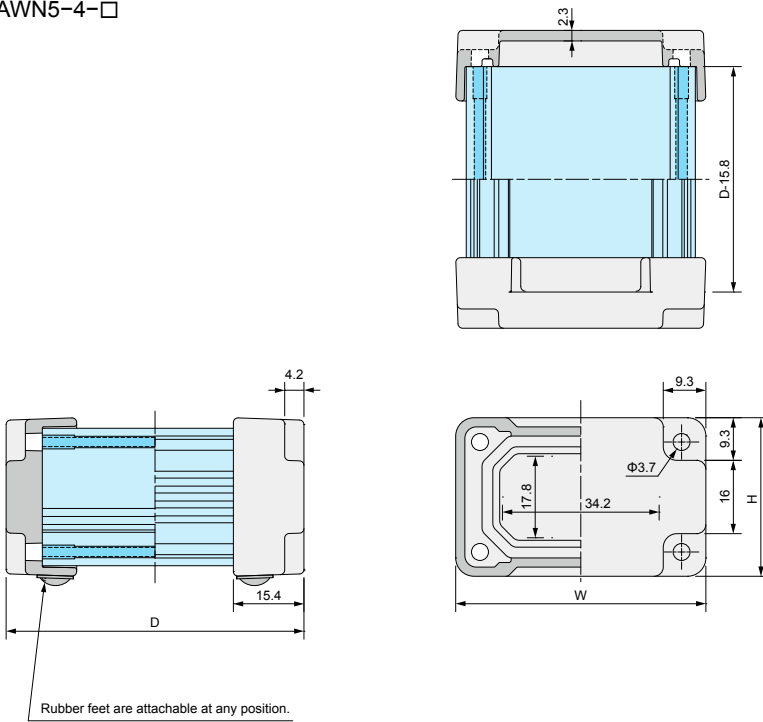


AWN / AWP dimensions

• CAD data is downloadable from our website. Please use the data for your designing.

AWN5-4-□

Part no.	W	H	D
AWN 5-4- 7□	54.6	34.6	65
AWN 5-4- 9□	54.6	34.6	85
AWN 5-4-11□	54.6	34.6	110
AWN 5-4-14□	54.6	34.6	135



AWN / AWP7-7-□

Part no.	W	H	D
AWN / AWP 7-7- 8□	65.8	65.8	80(104)
AWN / AWP 7-7-11□	65.8	65.8	110(134)
AWN / AWP 7-7-15□	65.8	65.8	150(174)
AWN / AWP 7-7-20□	65.8	65.8	200(224)
AWN / AWP 7-7-25□	65.8	65.8	250(274)

• () shows the overall depth of AWP.

