

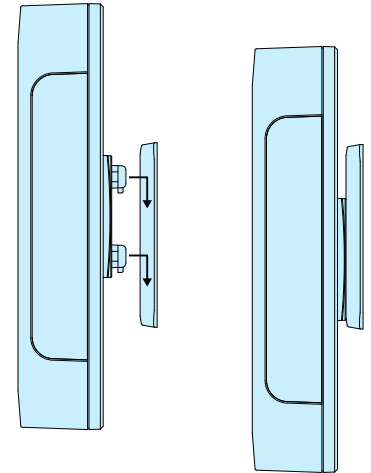
WM SERIES

Accessories (Optional parts)

WM WALL SUSPENSION BRACKET

NEW

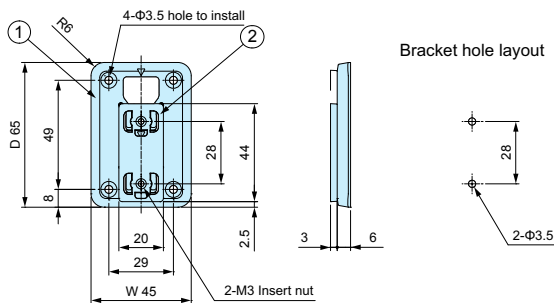
How to install



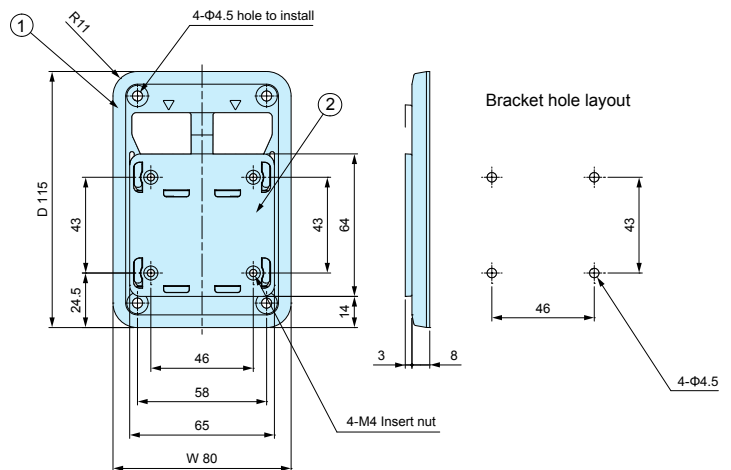
FEATURE

- Plastic wall mounting bracket. Easy on/off with the sliding hooks.
- Large and Small brackets are prepared for case size to install.
- Applicable not only PF series but also other plastic/metal enclosures which have the panel thickness from 0.8mm to 3.5mm.
- Hole milling is required to fix onto the case.

WM-1 dimensions



WM-2 dimensions



Components

Ref. #	Part name	Pcs	Material	Color / Finish
1	Mounting base	1	PC+ABS(UL94HB)	Off-white / Dark gray
2	Suspension hook	1	PC+ABS(UL94HB)	Off-white / Dark gray
-	Insert nut	2/4	Brass	Unfinished
-	Screw	2	M3x8 Steel Binding = WM-1	Nickel plated
-	Screw	4	M4x8 Steel Binding = WM-2	Nickel plated

Part no. / Dimensions

Part no.	W	D	Color	Screw finish	Mountable Thickness	Max load (kg)	Weight (g)
WM-1W	45	65	Off-white	Nickel plated	t0.8 ~ t3.5	2	11.5
WM-1D	45	65	Dark gray	Nickel plated	t0.8 ~ t3.5	2	11.5
WM-2W	80	115	Off-white	Nickel plated	t0.8 ~ t3.5	5	48
WM-2D	80	115	Dark gray	Nickel plated	t0.8 ~ t3.5	5	48