

TWSC SERIES

SILICONE PROTECTOR FOR TW-TWN

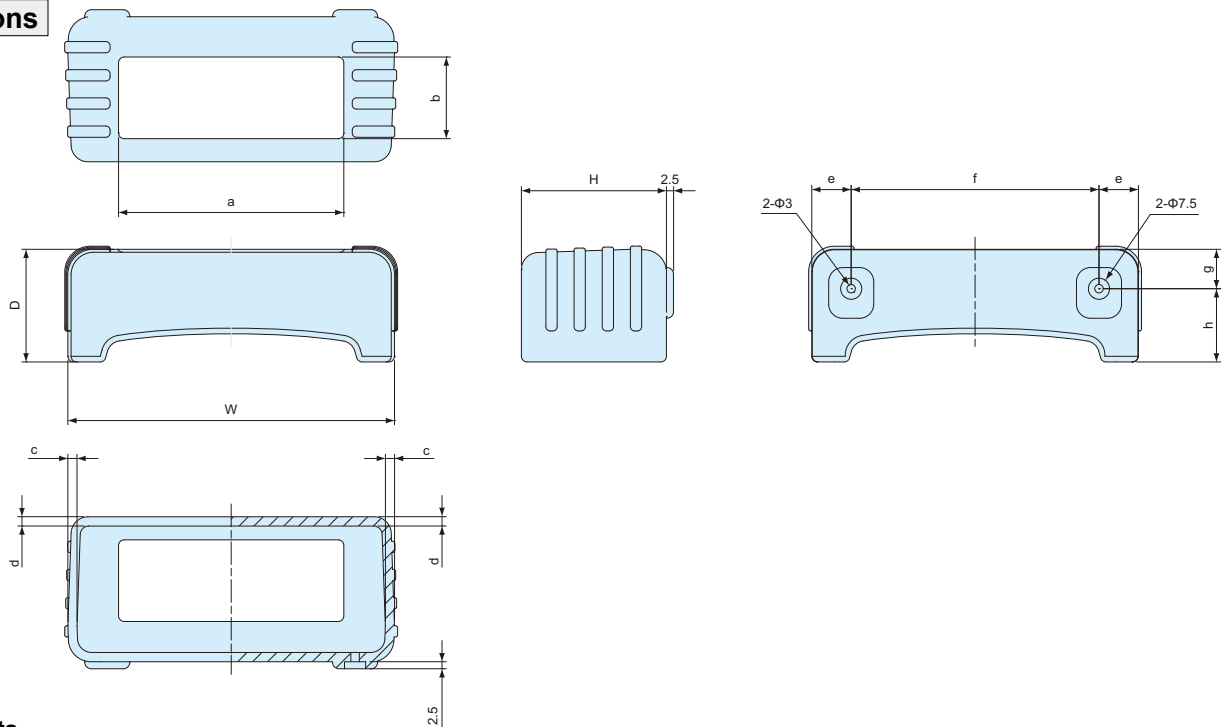
Color Type

Color						
Color code	Pink P	Yellow Y	Green G	Navy N	Light gray L	Black B

FEATURE

- Silicone Protector for TW · TWN series. Selectable in 6 Colors.
- Please select the suitable plastic case listed below. The silicone protector is a set of 2pcs.
- Custom color is available from MOQ 500 pairs per order. If you would, please tell us the **PANTONE®** Color number or provide sample color.

Dimensions



Components

Part Name	Pcs	Material	Color / Finish
Silicone protector	Set of 2	Silicone	Pink · Yellow · Green · Navy · Light gray · Black
Self-tapping screw	4	M3x20 Steel	Black trivalent chromate

Part no. / Dimensions

• Please suffix color code at the end of part number □ when ordering TWSC series. (1set=1pair)

Part no.	W	H	D	a	b	c	d	e	f	g	h	Suitable Case
TWSC 7-3□	71	32	27	52	13.5	3.2	3.3	12	47	12	15	TW / TWN 7-3-13
TWSC 7-5□	71	56	27	52	37.5	3.15	3.1	12	47	12	15	TW / TWN 7-5-13
TWSC 9-4□	91.5	41.5	33	67	22	3.1	3.15	13	65.5	13	20	TW / TWN 9-4-17
TWSC 9-6□	91.5	66.5	33	67	46.5	3.2	3.3	13	65.5	13	20	TW / TWN 9-6-17
TWSC11-5□	116	51.5	40	80	29	3.25	3.3	14	88	14	26	TW / TWN11-5-22
TWSC11-8□	116	81.5	40	80	58	3.2	3.3	14	88	14	26	TW / TWN11-8-22
TWSC13-3□	131	31	38	101	13	3.15	3.2	13	105	13	25	TW / TWN13-3-13 TW / TWN13-3-18
TWSC13-5□	131	51	38	101	29.5	3.3	3.3	13	105	13	25	TW / TWN13-5-13 TW / TWN13-5-18
TWSC13-7□	131	71	38	101	48.5	3.3	3.3	13	105	13	25	TW / TWN13-7-18