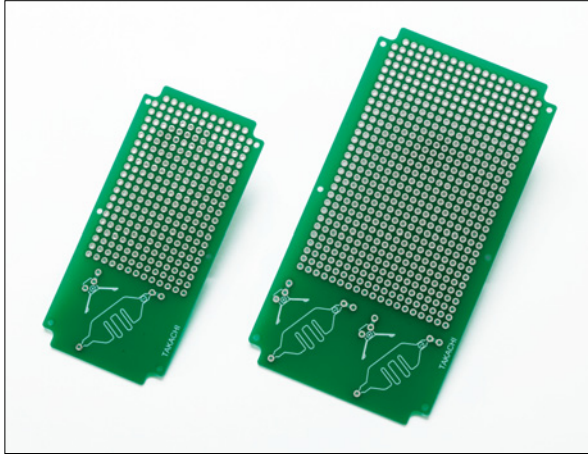


CSPB SERIES

Accessories (Optional parts)

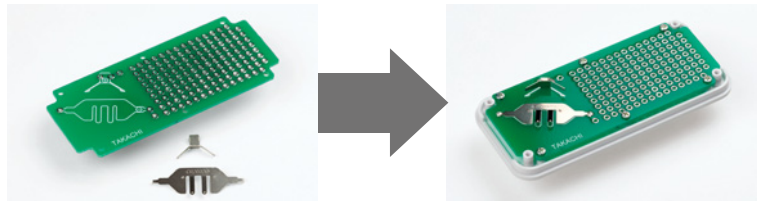
CSPB EXCLUSIVE PCB FOR CS · CSS

NEW SIZE RELEASED



- Exclusive PCB for CS · CSS case.
- Glass epoxy board (FR-4), through-hole on both sides and 2.54mm hole distance.
- Prepared holes for a battery contact coming with CS · CSS case. The contact directions are printed on PCB.

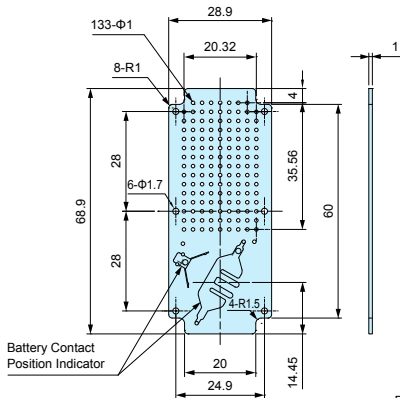
Soldering the battery contacts coming with CS · CSS case



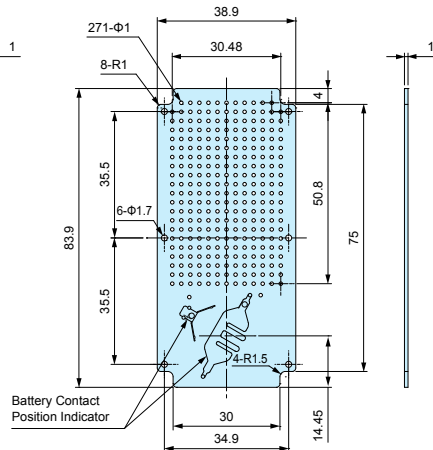
CSPB dimensions

- CAD data is downloadable from our website.

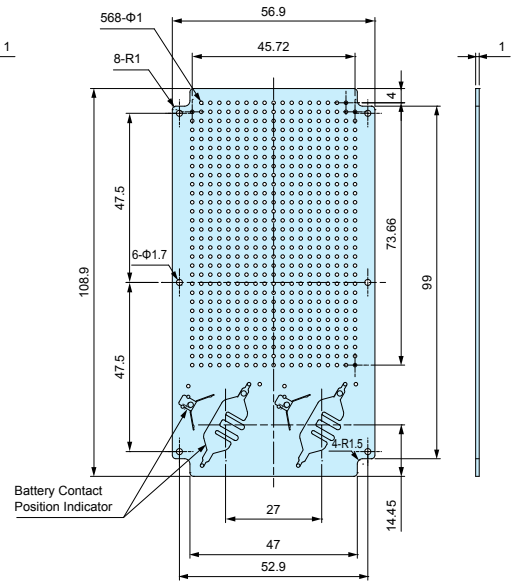
CSPB-75



CSPB-90

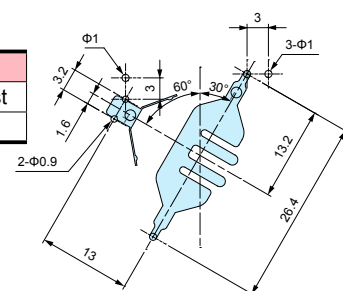


CSPB-115



Note : Holes (6-Φ1.7) for PCB mount bosses are un-soldered.

Battery Contact Position Indicator Details



Components

Part name	Pcs	Material	Finish
PCB	1	Glass epoxy (FR-4) t 1.0	Through-hole · Lead free solder · Resist
Self tapping screw	6	M1.6 Steel	Trivalent chromate

Part no.

Part no.	Suitable Case
CSPB- 75	CS 75, CSS 75
CSPB- 90	CS 90, CSS 90
NEW CSPB-115	CS115, CSS115