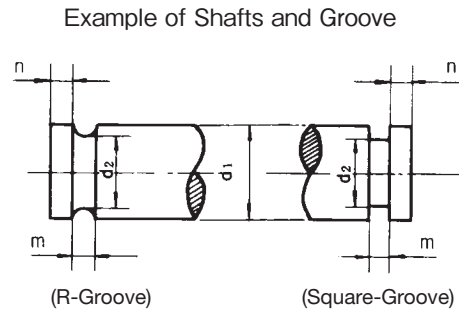
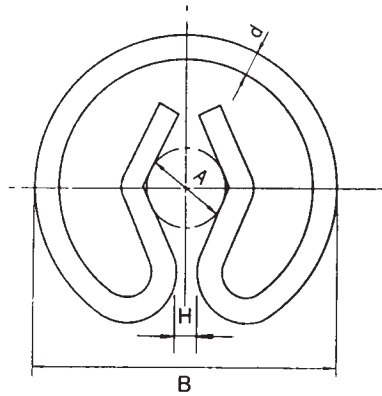


Clip Rings



Unit : mm

Dimensions Code	Nominals No.	d ₁ Applicable Shafts	A		B		H		d	d ₂	Applicable Shafts		
			Basic Dimension	Tolerance	Basic Dimension	Tolerance	Basic Dimension	Tolerance			m	n	
29001	1	3	1.5	±0.3	7.5	±0.5	0.5	±0.25	0.7	2	0.8	2	
29002	2	4	2		9.5		0.75		±0.35	0.8	2.5	0.9	2
29003	3	5	2.75		11.3		0.75			0.9	3.5	1	2.5
29004	4	6	3	±0.4	13	±0.8	0.75	±0.45	1	4	1.1	2.5	
29005	5	8	4.75	±0.5	15.8		1.25		1.2	6	1.3	3	
29006	6	10	5.5	±0.6	18.5		2		±0.55	1.4	7	1.6	3.5
29007	7	13	7		22		2.5			1.6	9	1.9	4
29008	8	16	8		±0.7		24			2.5	2	10	2.4

Remarks 1. You can insert this product either longitudinally or laterally.
2. This product is made from wire rod and fit groove face well.

Product code	129	Material code	08...SUS420J2		Part Number Structure (Standardized Product Code)							
			Surface code	01...Burnished		Hardness	HV 400~460		Product: ①②⑨①⑧①① — ①①①①①① Surface: ①①①①①① Material: ①②⑨①⑧①① Dimensions code: ①①①①①①			