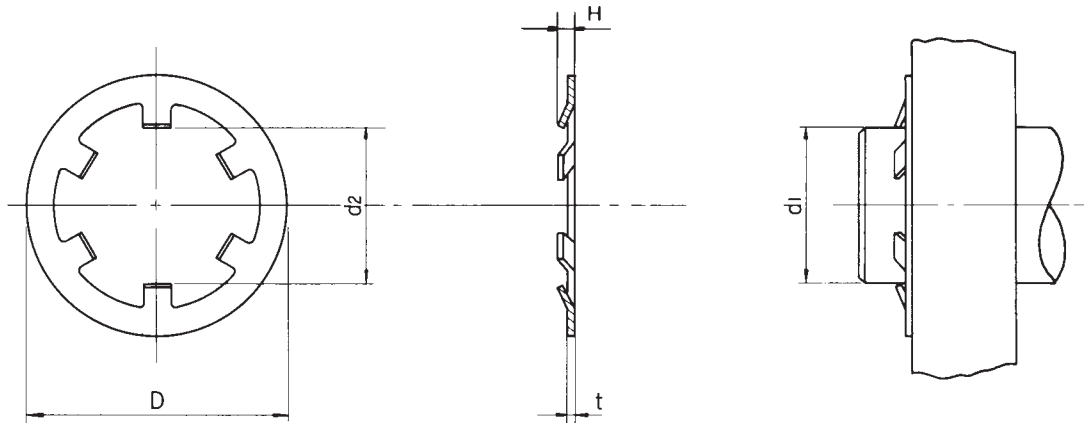


CA Retaining Rings For Shafts



Unit : mm

Dimensions Code	Nominal Diameter	CA Retaining Ring for Shaft Dimensions							Thrust Loading N	Applicable Shafts d ₁	
		d ₂		D		H	t	Teeth		Basic Dimension	Tolerance
		Basic Dimension	Tolerance	Basic Dimension	Tolerance						
48015	1.5	1.4	±0.05	5.2	±0.2	0.6	0.25	3	78	1.5	±0.03
48020	2	1.9		6		0.6	0.25	3	118	2	
48024	2.4	2.2	6.4	0.7		0.25	3	118	2.4		
48030	3	2.8	8	0.7		0.25	4	147	3		
48040	4	3.8	9	0.7		0.25	4	177	4		
48050	5	4.8	10	0.7		0.25	5	245	5		
48060	6	5.8	11	0.8		0.25	5	245	6		
48080	8	7.8	13	0.8		0.25	5	294	8		
48100	10	9.8	15.4	0.8		0.25	6	294	10		
48120	12	11.8	17.8	±0.3		1.0	0.4	6	343	12	
48160	16	15.8	22.8		1.0	0.4	6	392	16		
48180	18	17.8	25		1.0	0.4	8	392	18		
48200	20	19.8	28		1.0	0.4	8	392	20		

- Remarks**
1. Thrust Load listed above is for SUS304-CSP material.
 2. Thrust Load measured using Cold Drawn Low carbon steel shaft.

- Notes**
1. Customer specified dimension and material are available upon request.

Product code	148	Material code	02...SUS304-CSP		Part Number Structure (Standardized Product Code)									
			70...Spring Steel		Product	Surface								
Surface code	01...Burnished (SUS304-CSP)	Hardness	HRC37 ~ 46 (SUS304-CSP)		①	④	⑧	○	○	○	○	○	○	○
	05...Phosphate Coating (Spring Steel)		HRC45 ~ 53 (Spring Steel)		Material			Dimensions code						