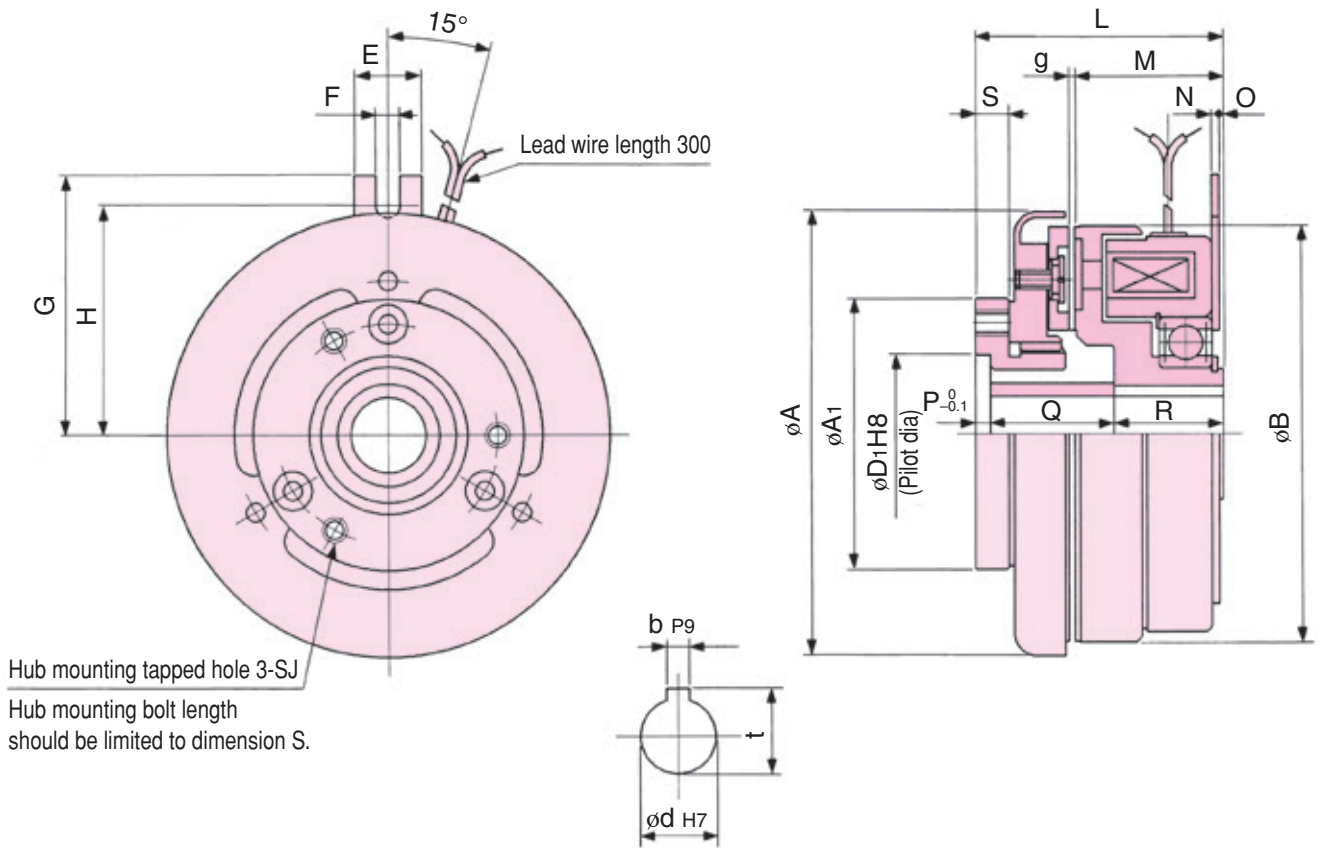


JC-0.6, 1.2, 2.5, 5 Through Shaft Type

Model	Static friction torque(Nm)	Rated voltage(DC-V)	Power consumption at75°C(W)	Mass(kg)
JC-0.6	6	24	8	0.8
JC-1.2	12	24	11	1.4
JC-2.5	25	24	16	2.6
JC-5	50	24	23	4.2



(DIM: mm)

Model	Diameter direction								Shaft direction		
	A	A1	B	D1	E	F	G	H	L	M	N
JC-0.6	76	51	70.3	28	14	4.5	46	39.5	47	29	1.6
JC-1.2	96	58	90.4	32	16	5.5	57	50	53	32	1.6
JC-2.5	118	72	110.5	42	18	6.5	69	61	66	40.5	2
JC-5	145	87	135.6	52	20	6.5	82	74	73	43.5	2.6

Model	Shaft direction						Attachment		Shaft hole		
							SJ				
	O	P	Q	R	S	g	P.C.D	Tap	d	b	t
JC-0.6	1	3	23	21	6.5	0.4	40	M4	12	4	$13.8^{+0.1}_0$
JC-1.2	1	3	27	23	7.5	0.4	48	M5	15	5	$17.3^{+0.1}_0$
JC-2.5	1	4	33	29	9	0.5	58	M6	20	6	$22.8^{+0.1}_0$
JC-5	1	4	37	32	10	0.5	70	M8	25	8	$28.3^{+0.2}_0$