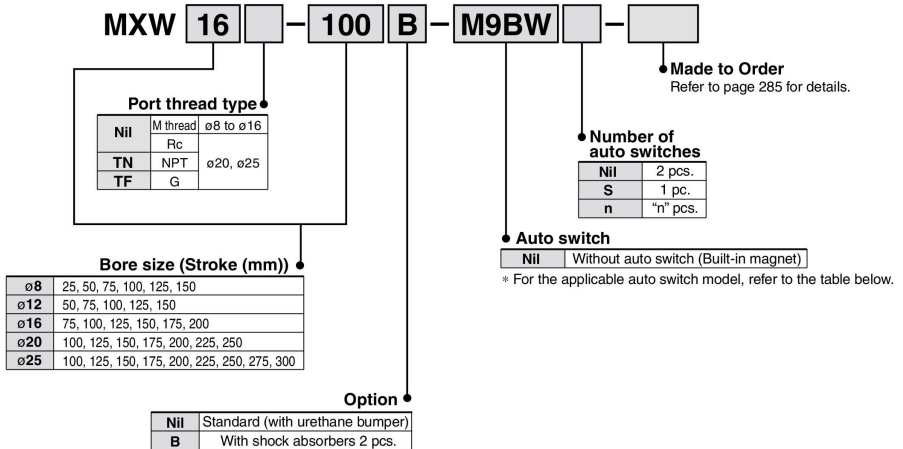


Air Slide Table MXW Series



How to Order



Applicable Auto Switches/Refer to pages 1119 to 1245 for the detailed specifications of auto switches.

Type	Special function	Electrical entry	Indicator light	Wiring (Output)	Load voltage		Auto switch model		Lead wire length (m)				Pre-wired connector	Applicable load		
					DC	AC	Perpendicular	In-line	0.5 (Nil)	1 (M)	3 (L)	5 (Z)		IC circuit	Relay, PLC	
Solid state auto switch	—	Grommet	Yes	3-wire (NPN)	24 V	5 V, 12 V	—	M9NV	M9N	●	●	●	○	○	IC circuit	Relay, PLC
				3-wire (PNP)				M9PV	M9P	●	●	●	○	○		
				2-wire				M9BV	M9B	●	●	○	○	○		
				3-wire (NPN)				M9NVW	M9NW	●	●	●	○	○		
	Water resistant (2-color indicator)			3-wire (PNP)	M9PVW	M9PW	●	●	●	○	○	IC circuit	Relay, PLC			
				2-wire	M9BWW	M9BW	●	●	○	○	○					
				3-wire (NPN)	M9NAV*1	M9NA*1	○	○	●	○	○					
				3-wire (PNP)	M9PAV*1	M9PA*1	○	○	●	○	○					
Reed auto switch	—	Grommet	None	3-wire (Equiv. to NPN)	24 V	12 V	100 V or less	A96V	A96	●	—	—	—	IC circuit	—	
				2-wire				A93V*2	A93	●	●	●	—			Relay, PLC
								A90V	A90	●	●	—	—			

*1 Water resistant type auto switches can be mounted on the above models, but in such case SMC cannot guarantee water resistance.

*2 1 m type lead wire is only applicable to D-A93.

* Lead wire length symbols: 0.5 m..... Nil (Example) M9NV
 1 m..... M (Example) M9NWM
 3 m..... L (Example) M9NWL
 5 m..... Z (Example) M9NVZ

* Solid state auto switches marked with "○" are produced upon receipt of order.

* Since there are other applicable auto switches than listed, refer to page 301 for details.

* For details about auto switches with pre-wired connector, refer to pages 1192 and 1193.

* Auto switches are shipped together (not assembled).