

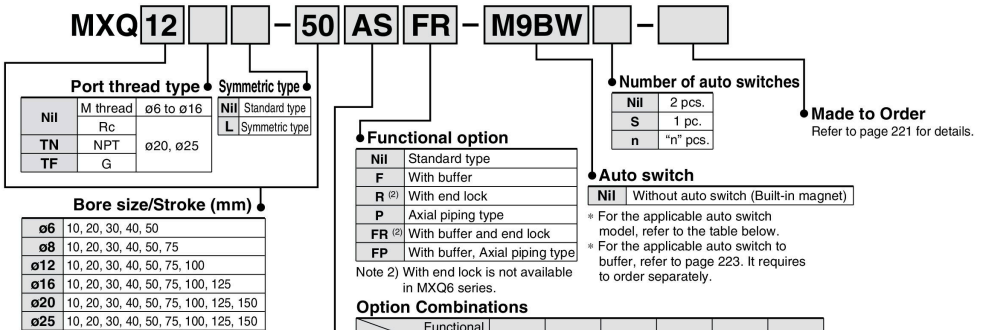
# Air Slide Table

# MXQ Series

ø6, ø8, ø12, ø16, ø20, ø25



## How to Order



### Adjuster option

<b>NII</b>	Without adjuster
<b>AS</b>	Extension end rubber stopper
<b>AT</b>	Retraction end rubber stopper
<b>A</b>	Double end rubber stopper
<b>BS</b> (1)	Extension end absorber
<b>BT</b> (1)	Retraction end absorber
<b>B</b> (1)	Double absorber
<b>CS</b>	Extension end metal stopper
<b>CT</b>	Retraction end metal stopper
<b>C</b>	Double metal stopper
<b>ASBT</b> (1)	Extension end rubber stopper + Retraction end absorber
<b>ASCT</b>	Extension end rubber stopper + Retraction end metal stopper
<b>BSAT</b> (1)	Extension end absorber + Retraction end rubber stopper
<b>BSCT</b> (1)	Extension end absorber + Retraction end metal stopper
<b>CSAT</b>	Extension end metal stopper + Retraction end rubber stopper
<b>CSBT</b> (1)	Extension end metal stopper + Retraction end absorber

Note 1) With shock absorber is not available in MXQ6 series.

### Option Combinations

Adjuster option	Functional option	Option					
		NII	F	R	P	FR	FP
<b>NII</b>		○	○	○	○	○	○
<b>AS</b>		○	○ <sup>(3)</sup>	○	○	○ <sup>(3)</sup>	○ <sup>(3)</sup>
<b>AT</b>		○	○	x	x	x	x
<b>A</b>		○	○ <sup>(3)</sup>	x	x	x	x
<b>BS</b>		○	x	○	○	x	x
<b>BT</b>		○	○	x	x	x	x
<b>B</b>		○	x	x	x	x	x
<b>CS</b>		○	○ <sup>(3)</sup>	○	○	○ <sup>(3)</sup>	○ <sup>(3)</sup>
<b>CT</b>		○	○	x	x	x	x
<b>C</b>		○	○ <sup>(3)</sup>	x	x	x	x
<b>ASBT</b>		○	○ <sup>(3)</sup>	x	x	x	x
<b>ASCT</b>		○	○ <sup>(3)</sup>	x	x	x	x
<b>BSAT</b>		○	x	x	x	x	x
<b>BSCT</b>		○	x	x	x	x	x
<b>CSAT</b>		○	○ <sup>(3)</sup>	x	x	x	x
<b>CSBT</b>		○	○ <sup>(3)</sup>	x	x	x	x

Note 3) With the combination of buffer mechanism and extension end stroke adjuster, the buffer stroke decreases by the amount of stroke adjusted with the extension end stroke adjuster.

○ : Available, x : Not available

### Applicable Auto Switch/Refer to pages 1119 to 1245 for the detailed specifications of auto switches.

Type	Special function	Electrical entry	Indicate light	Wiring (Output)	Load voltage		Auto switch model		Lead wire length (m)			Pre-wired connector	Applicable load		
					DC	AC	Perpendicular	In-line	0.5 (NII)	1 (M)	3 (L)		5 (Z)	IC circuit	Relay, PLC
Solid state switch	—	Grommet	Yes	3-wire (NPN)	5 V, 12 V	—	<b>M9NV</b>	<b>M9N</b>	●	●	●	○	—	—	
				3-wire (PNP)			<b>M9PV</b>	<b>M9P</b>	●	●	●	○			
				2-wire	<b>M9BV</b>		<b>M9B</b>	●	●	●	○				
	Diagnostic indication (2-color indicator)			3-wire (NPN)	5 V, 12 V		<b>M9NWV</b>	<b>M9NW</b>	●	●	●	○	—	—	
				3-wire (PNP)			<b>M9PWW</b>	<b>M9PW</b>	●	●	●	○			
				2-wire	<b>M9BWW</b>		<b>M9BW</b>	●	●	●	○				
Water resistant (2-color indicator)	3-wire (NPN)	5 V, 12 V	<b>M9NAV</b> *1	<b>M9NA</b> *1	○	○	●	○	—	—					
	3-wire (PNP)		<b>M9PAV</b> *1	<b>M9PA</b> *1	○	○	●	○							
	2-wire	<b>M9BAV</b> *1	<b>M9BA</b> *1	○	○	●	○								
Reed switch	—	Grommet	No	3-wire (NPN equivalent)	—	5 V	<b>A96V</b>	<b>A96</b>	●	—	●	—	—	—	
				2-wire	24 V	12 V	100 V or less	<b>A93V</b> *2	<b>A93</b>	●	●	●	●	—	—
							<b>A90V</b>	<b>A90</b>	●	—	●	—	—	—	

\*1 Water resistant type auto switches are mountable on the above models, but in such case SMC cannot guarantee water resistance.

\*2 1 m lead wire is only applicable to the D-A93.

\* Lead wire length symbols: 0.5 m ..... NII (Example) M9NW 3 m ..... L (Example) M9NWL 5 m ..... Z (Example) M9NWZ

\* Since there are other applicable auto switches than listed, refer to page 256 for details.

\* For details about auto switches with pre-wired connector, refer to pages 1192 and 1193.

\* Auto switches are shipped together (not assembled).