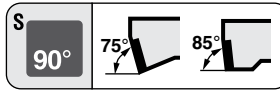
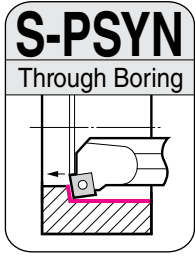


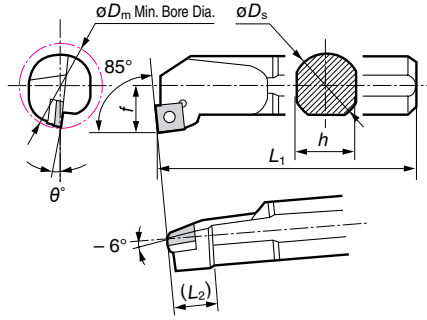
# SEC-Boring Bars S-PSYN/S-ESKN/S-ESYN Type



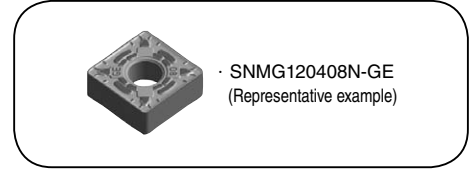
## General Boring



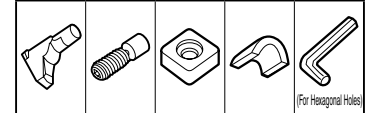
**Steel**



### Insert



### Spare Parts



**Holder** Right handed toolholders are applicable with left handed or neutral inserts.  
Left handed toolholders are applicable with right handed or neutral inserts.

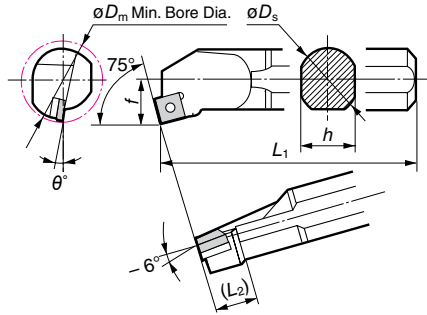
Above figures show right hand tools.

Shank	Cat. No.	Conventional Cat. No.	Stock		Dimensions (mm)							Applicable Insert		Lever Pin	Clamp Bolt	Shim	Shim Pin	Wrench
			R	L	$\phi D_m$	$\phi D_s$	$h$	$L_1$	$f$	$L_2$	$\theta^\circ$	Cat. No.	Featured page					
Steel	<b>S32S-PSYN R/L1204-44</b>	S32S-PSYN R/L12	●	●	44	32	30	250	22	(22)	-10	SN □□1204□□	From B41	LCL4	LCS4	LSS42B	LSP4	LH030

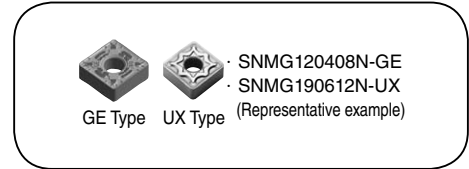
( ) is reference value.



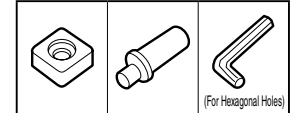
**Steel**



### Insert



### Spare Parts

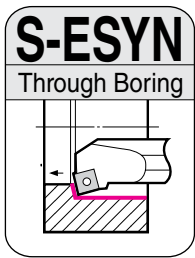


**Holder** Right handed toolholders are applicable with left handed or neutral inserts.  
Left handed toolholders are applicable with right handed or neutral inserts.

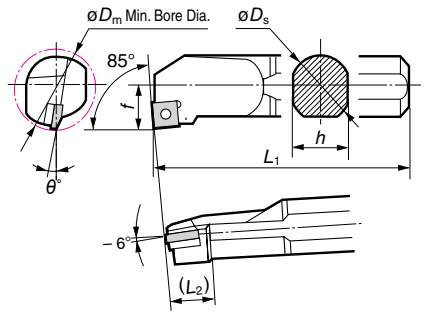
Above figures show right hand tools.

Shank	Cat. No.	Conventional Cat. No.	Stock		Dimensions (mm)							Applicable Insert		Shim	Eccentric Shaft	Wrench
			R	L	$\phi D_m$	$\phi D_s$	$h$	$L_1$	$f$	$L_2$	$\theta^\circ$	Cat. No.	Featured page			
Steel	<b>S25R-ESKN R/L1204-34</b>	BSKN425 R/L	●	●	34	25	23	200	17	(18)	-12	SN □□1204□□	From B41	SSW423	CPB42 CPB43S CPB43	LH030
	<b>S32S-ESKN R/L1204-44</b>	BSKN432 R/L	●	●	44	32	30	250	22	(22)	-10					
	<b>S40T-ESKN R/L1204-54</b>	BSKN440 R/L	●	●	54	40	37	300	27	(27)	-10					
	<b>S50U-ESKN R/L1906-70</b>	BSKN650 R/L	●	●	70	50	47	350	35	(35)	-10					

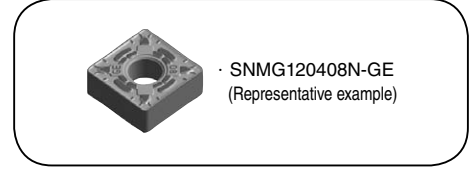
( ) is reference value.



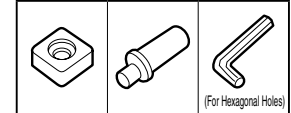
**Steel**



### Insert



### Spare Parts



**Holder** Right handed toolholders are applicable with left handed or neutral inserts.  
Left handed toolholders are applicable with right handed or neutral inserts.

Above figures show right hand tools.

Shank	Cat. No.	Conventional Cat. No.	Stock		Dimensions (mm)							Applicable Insert		Shim	Eccentric Shaft	Wrench
			R	L	$\phi D_m$	$\phi D_s$	$h$	$L_1$	$f$	$L_2$	$\theta^\circ$	Cat. No.	Featured page			
Steel	<b>S25R-ESYN R/L1204-34</b>	BSYN425 R/L	●	●	34	25	23	200	17	(20)	-12	SN □□1204□□	From B41	SSW423	CPB42 CPB43S	LH030
	<b>S32S-ESYN R/L1204-44</b>	BSYN432 R/L	●	●	44	32	30	250	22	(22)	-10					

( ) is reference value.