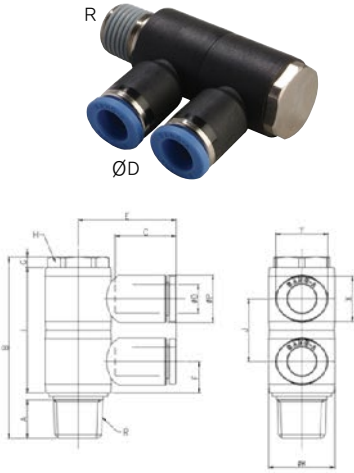


GPH(D2)

Double Universal Elbow



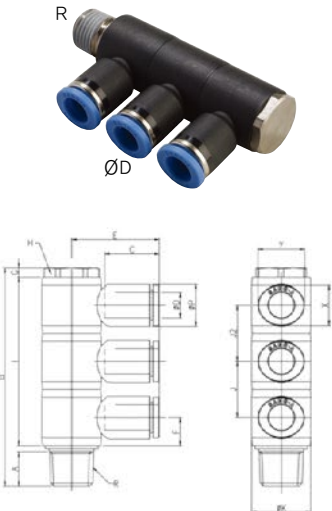
MODEL [ØD-T] Tube(Metric)-Thread(R) (mm)

MODEL	ØD	R	ØP	A	B	C	E	F	G	H	I	J	ØK	X	Y	Orifice (Ømm)	W.G(g)	Qty/Inbox
GPH 03M5(2)	3	M5	9	3.5	29.6	14.5	19.5	6.6	2.5	8	23.6	11.8	10	8.6	10.8	2	10.2	25
GPH 04M5(2)	4	M5	9	3.5	29.6	14.5	19.5	6.6	2.5	8	23.6	11.8	10	8.6	10.8	2	10.0	25
GPH 0401(2)	4	R1/8	9	8	41	14.5	21.5	7.3	2.5	13	29	14.5	14	8.6	10.8	3.2	24.7	25
GPH 0402(2)	4	R1/4	9	11	52	14.5	24	9	3	17	36	18	19	8.6	10.8	3.2	46.9	25
GPH 0403(2)	4	R3/8	9	12	60.8	14.5	25.7	10.5	4	21	42	21	22.4	8.6	10.8	3.2	75.2	25
GPH 06M5(2)	6	M5	11.2	3.5	29.6	15.5	20.5	7.1	2.5	8	23.6	11.8	10	11	13	2	11.6	25
GPH 0601(2)	6	R1/8	11.2	8	41	15.5	22.5	7.3	2.5	13	29	14.5	14	11	13	5	26.2	25
GPH 0602(2)	6	R1/4	11.2	11	52	15.5	25	9	3	17	36	18	19	11	13	5	48.5	25
GPH 0603(2)	6	R3/8	11.2	12	60.8	15.5	26.7	10.5	4	21	42	21	22.4	11	13	5	76.8	25
GPH 0801(2)	8	R1/8	13.6	8	41	17.8	25.6	8	2.5	13	29	14.5	14	13	15	6	28.8	25
GPH 0802(2)	8	R1/4	13.6	11	52	17.8	28.1	9	3	17	36	18	19	13	15	7	51.1	25
GPH 0803(2)	8	R3/8	13.6	12	60.5	17.8	29.8	10.5	4	21	42	21	22.4	13	15	7	77.6	25
GPH 0804(2)	8	R1/2	13.6	15	66.8	17.8	32.1	11	5	24	44	22	27	13	15	7	125.2	25
GPH 1002(2)	10	R1/4	16.3	11	52	19.4	28.9	9.7	3	17	36	18	19	16	18.5	8	57.4	25
GPH 1003(2)	10	R3/8	16.3	12	60.8	19.4	30.6	10.5	4	21	42	21	22.4	16	18.5	9	82.0	20
GPH 1004(2)	10	R1/2	16.3	15	66.8	19.4	32.9	11	5	24	44	22	27	16	18.5	9	127.6	20
GPH 1203(2)	12	R3/8	19.7	12	60.8	22.4	35.9	11.9	4	21	42	21	22.4	19.5	22.5	9.2	90.5	9
GPH 1204(2)	12	R1/2	19.7	15	66.8	22.4	38.2	11.9	5	24	44	22	27	19.5	22.5	9.5	136.1	9

*Rotating body construction after a proper installation.

GPH(D3)

Triple Universal Elbow



MODEL [ØD-T] Tube(Metric)-Thread(R) (mm)

MODEL	ØD	R	ØP	A	B	C	E	F	G	H	I	J	J2	ØK	X	Y	Orifice (Ømm)	W.G(g)	Qty/Inbox
GPH 03M5(3)	3	M5	9	3.5	41.4	14.5	19.5	6.6	2.5	8	35.4	11.8	11.8	10	8.6	10.8	2	14.5	25
GPH 04M5(3)	4	M5	9	3.5	41.4	14.5	19.5	6.6	2.5	8	35.4	11.8	11.8	10	8.6	10.8	2	14.2	25
GPH 0401(3)	4	R1/8	9	8	55.5	14.5	21.5	7.3	2.5	13	43.5	14.5	14.5	14	8.6	10.8	3.2	33.5	25
GPH 0402(3)	4	R1/4	9	11	70	14.5	24	9	3	17	54	18	18	19	8.6	10.8	3.2	34.5	25
GPH 0403(3)	4	R3/8	9	12	81.8	14.5	25.7	10.5	4	21	63	21	21	22.4	8.6	10.8	3.2	98.0	25
GPH 06M5(3)	6	M5	11.2	3.5	41.4	15.5	20.5	7.1	2.5	8	35.4	11.8	11.8	10	11	13	2	16.6	25
GPH 0601(3)	6	R1/8	11.2	8	55.5	15.5	22.5	7.3	2.5	13	43.5	14.5	14.5	14	11	13	5	35.7	25
GPH 0602(3)	6	R1/4	11.2	11	71	15.5	25	9	3	17	54	18	18	19	11	13	5	63.8	25
GPH 0603(3)	6	R3/8	11.2	12	81.8	15.5	26.7	10.5	4	21	63	21	21	22.4	11	13	5	100.3	25
GPH 0801(3)	8	R1/8	13.6	8	55.5	17.8	25.6	8	2.5	13	43.5	14.5	14.5	14	13	15	6	39.5	25
GPH 0802(3)	8	R1/4	13.6	11	70	17.8	28.1	9	3	17	54	18	18	19	13	15	7	67.7	25
GPH 0803(3)	8	R3/8	13.6	12	81.8	17.8	29.8	10.5	4	21	63	21	21	22.4	13	15	7	101.6	20
GPH 0804(3)	8	R1/2	13.6	15	88.8	17.8	32.1	11	5	24	66	22	22	27	13	15	7	161.0	20
GPH 1002(3)	10	R1/4	16.3	11	70	19.4	28.9	9.7	3	17	54	18	18	19	16	18.5	8	77.3	12
GPH 1003(3)	10	R3/8	16.3	12	81.8	19.4	30.6	10.5	4	21	63	21	21	22.4	16	18.5	9	108.2	12
GPH 1004(3)	10	R1/2	16.3	15	88.8	19.4	32.9	11	5	24	66	22	22	27	16	18.5	9	164.6	12
GPH 1203(3)	12	R3/8	19.7	12	81.8	22.4	35.9	11.9	4	21	63	21	21	22.4	19.5	22.5	9.2	120.9	9
GPH 1204(3)	12	R1/2	19.7	15	88.8	22.4	38.2	11.9	5	24	66	22	22	27	19.5	22.5	9.5	177.4	9

*Rotating body construction after a proper installation.