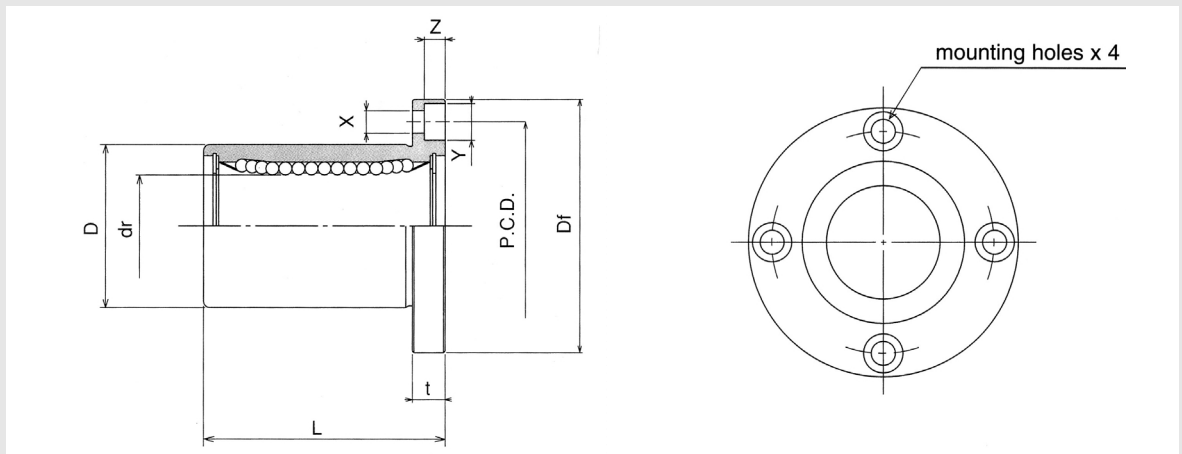


Linear Bushings

Asia type Ball Bushing

SBF Flange type



Model number	Number of ball circuits	dr		D		L		Df	t	
			Permissible tolerance		Permissible tolerance		Permissible tolerance			
SBF6	4	6	0 -0.009	12	0 -0.013	19	±0.3	28	5	
SBF8S	4	8		15		17		32	5	
SBF8	4	8		15		24		32	5	
SBF10	4	10		19	29	40		6		
SBF12	4	12		21	30	42		6		
SBF13	4	13		23	32	43		6		
SBF16	5	16		28	37	48		6		
SBF20	5	20		32	42	54		8		
SBF25	6	25		0 -0.010	40	0 -0.019		59	62	8
SBF30	6	30		45	64	74		10		
SBF35	6	35	0 -0.012	52	0 -0.022	70		82	10	
SBF40	6	40		60		80		96	13	
SBF50	6	50		80		100		116	13	
SBF60	6	60		0 -0.015		90		0 -0.025	110	134

① E : Eccentricity (Max)

② S : Squariness

③ C : Basic dynamic load rating

④ Co : Basic static load rating

⑤ M : Mass