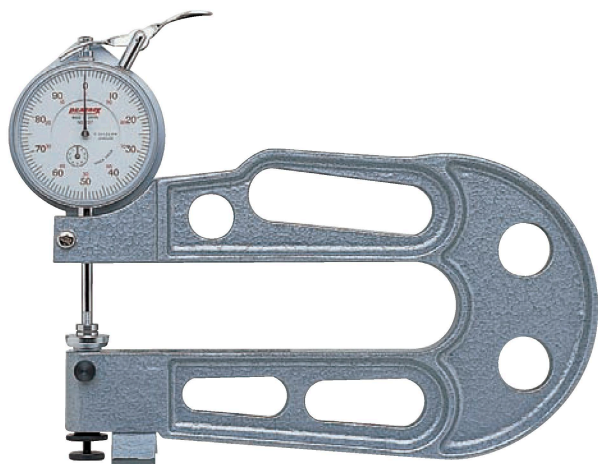


Dial Thickness Gauges (Large type)

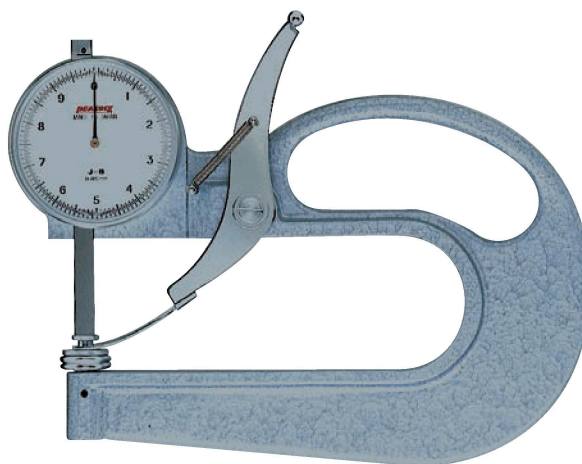
These large thickness gauges having extended throat depth to measure at the center of wide sheets.



J-A

Graduation: 0.01mm
Range: 0~20mm

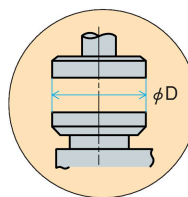
- The gauge sits by stand
- ϕ 10mm flat contact point and ϕ 20mm anvil (Metal)



J-B

Graduation: 0.05mm
Range: 0~35mm

- ϕ 20mm flat contact point and anvil (Metal)



Custom order available

Optional ϕ 30,40 and 50mm contact points and anvils are available.

Please specify material for contact point and anvil, either Metal (SK) material or aluminum (AL).

Specifications

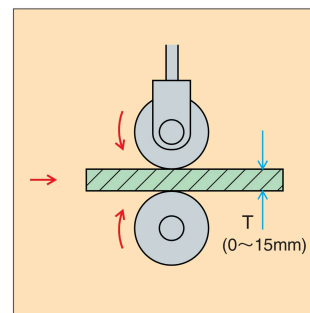
Model	Graduation (mm)	Range (mm)	Throat depth (mm)	Accuracy (μ m)	Contact Point		Measuring force less than (N)
					Dia (mm)	Parallelism (μ m)	
J-A	0.01	0~20	150	± 22	10	5	2.0
J-B	0.05	0~35	140	± 100	20	25	3.0

Dial Thickness Gauge Roller type

Special gauges for measuring of horizontally sliding a gauge with an object to be in inspected laid since the contact point and anvil are made with the roller. Convenient to continuously measuring thickness of thin objects, paper, rubber and film etc.



HR-1



Specifications

Model	Graduation (mm)	Range (mm)	Throat depth (mm)	Accuracy (μ m)	Roller contact points			Measuring force less than (N)
					OD (mm)	Width (mm)	Parallelism (μ m)	
HR-1	0.01	0~15	70	± 22	22	7	10	2.0

Dial Thickness Gauge (Large type) / (Roller type)