

Step Angle 1.8°

Motor Frame Size 42 mm (1.65 in.)

PK Series Standard Type



Specifications RoHS

Model • Single Shaft • Double Shaft • with Encoder	Connection Type	Holding Torque		Rated Current A/phase	Voltage VDC	Resistance Ω/phase	Inductance mH/phase	Rotor Inertia J		Lead Wires	Corresponding AC/DC-Input Motor & Driver Package UMK/CMK Series
		N-m	oz-in					kg-m ²	oz-in ²		
PK243-01AA PK243-01BA PK243-01AAR □	Bipolar (Series)	0.2	28	0.67	5.6	8.4	10	35 × 10 ⁻⁷	0.191	6	UMK243 □ A/ CMK243 □ PA/ CMK243APA-R □
	Unipolar	0.16	22	0.95	4	4.2	2.5				
PK243-02AA PK243-02BA	Bipolar (Series)	0.2	28	0.28	13	48	60	35 × 10 ⁻⁷	0.191	6	-
	Unipolar	0.16	22	0.4	9.6	24	15				
PK243-03AA PK243-03BA	Bipolar (Series)	0.2	28	0.22	17	77	84	35 × 10 ⁻⁷	0.191	6	-
	Unipolar	0.16	22	0.31	12	38.5	21				
PK244-01AA PK244-01BA PK244-01AAR □	Bipolar (Series)	0.33	46	0.85	5.6	6.6	12.8	54 × 10 ⁻⁷	0.3	6	UMK244 □ A/ CMK244 □ PA/ CMK244APA-R □
	Unipolar	0.26	36	1.2	4	3.3	3.2				
PK244-02AA PK244-02BA	Bipolar (Series)	0.33	46	0.57	8.6	15	26.8	54 × 10 ⁻⁷	0.3	6	-
	Unipolar	0.26	36	0.8	6	7.5	6.7				
PK244-03AA PK244-03BA	Bipolar (Series)	0.33	46	0.28	17	60	120	54 × 10 ⁻⁷	0.3	6	-
	Unipolar	0.26	36	0.4	12	30	30				
PK244-04AA PK244-04BA	Bipolar (Series)	0.33	46	0.14	34	240	428	54 × 10 ⁻⁷	0.3	6	-
	Unipolar	0.26	36	0.2	24	120	107				
PK245-01AA PK245-01BA PK245-01AAR □	Bipolar (Series)	0.43	61	0.85	5.6	6.6	11.2	68 × 10 ⁻⁷	0.37	6	UMK245 □ A/ CMK245 □ PA/ CMK245APA-R □
	Unipolar	0.32	45	1.2	4	3.3	2.8				
PK245-02AA PK245-02BA	Bipolar (Series)	0.43	61	0.57	8.6	15	28.4	68 × 10 ⁻⁷	0.37	6	-
	Unipolar	0.32	45	0.8	6	7.5	7.1				
PK245-03AA PK245-03BA	Bipolar (Series)	0.43	61	0.28	17	60	100	68 × 10 ⁻⁷	0.37	6	-
	Unipolar	0.32	45	0.4	12	30	25				

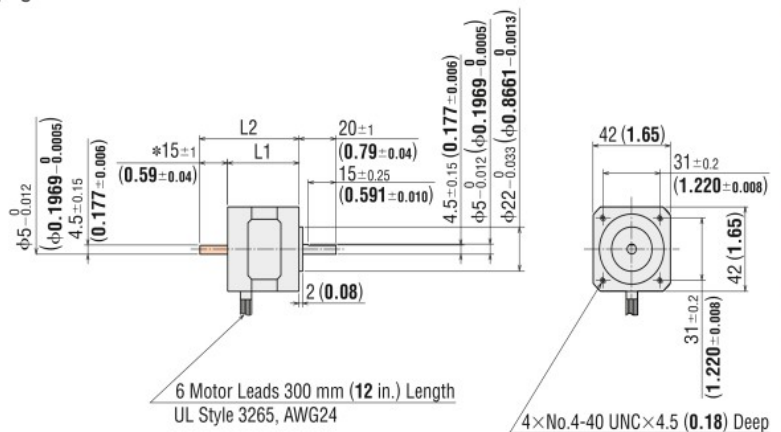
- Wirings and connections → Page A-288
Encoder specifications → Page A-17
- Enter **A** (single shaft) or **B** (double shaft) in the box (□) within the model name.
Enter the encoder code (**15**, **16**, **25** or **26**) in the box (□) within the model name.
- Product Number Code → Page A-278

Dimensions Unit = mm (in.)

The dimensions of a motor with an encoder can be found on page A-19 or at www.orientalmotor.com.

Model	L1	L2	Mass kg (lb.)	DXF
PK243-0 □ AA	33 (1.30)	-	0.21 (0.46)	B081U
PK243-0 □ BA		48 (1.89)		
PK244-0 □ AA	39 (1.54)	-	0.27 (0.59)	B082U
PK244-0 □ BA		54 (2.13)		
PK245-0 □ AA	47 (1.85)	-	0.35 (0.77)	B083U
PK245-0 □ BA		62 (2.44)		

- Enter the winding specification in the box (□) within the model name.



* The length of machining on the double shaft model is 15 ± 0.25 (0.591 ± 0.010).

- These dimensions are for the double shaft models. For the single shaft models, ignore the orange (■) area.