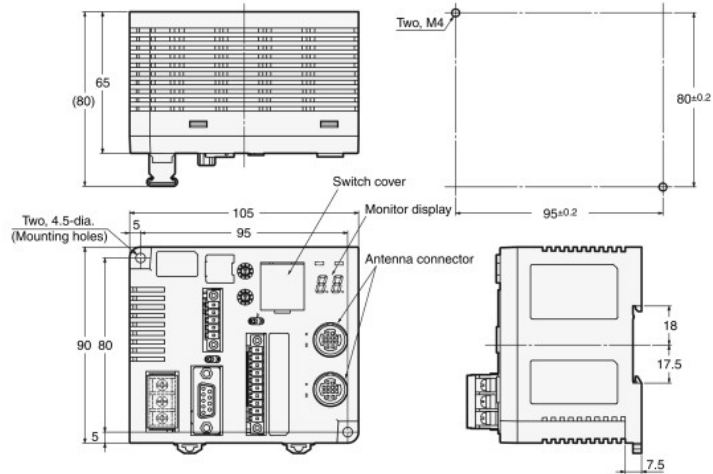


ID Controller

V680-CA5D01-V2/-CA5D02-V2

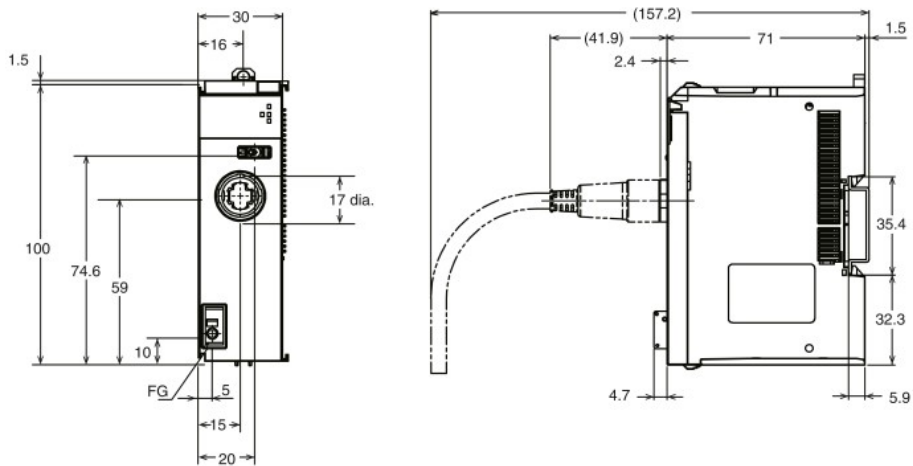


Mounting Hole Dimensions



RFID Units

NX-V680C1 (One-channel)



NX-V680C2 (Two-channels)

