

# FAIL-SAFE CONTROLLER



## Fail-safe Controller (open circuit detector; CE-certified)

The controller is employed in 4-wire mat switches/sensing edges exported to the US and European countries.

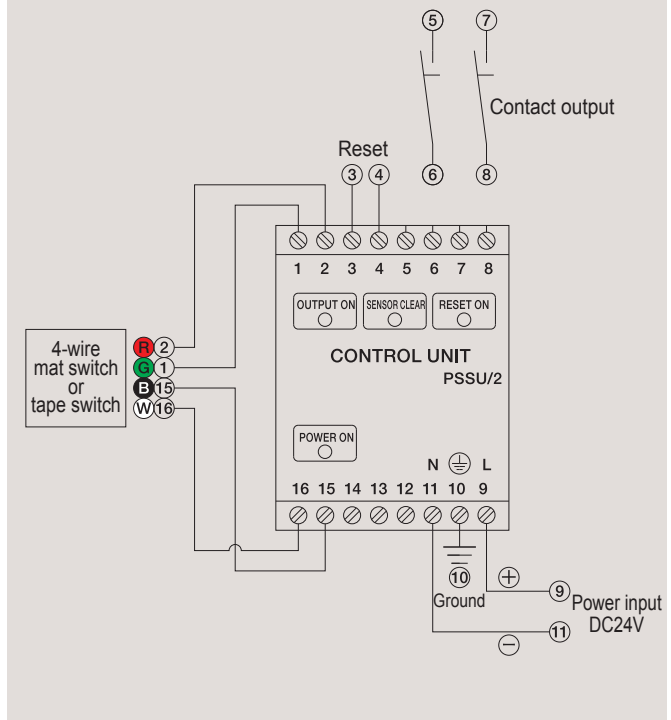
- PSSU-2 (DC application-specific)



### Specifications

Safety class	3 (EN954-1)
Input voltage	DC24V
Power consumption	6W
Safety output	2 circuits (2a-contact)
Output contact	DC24V-2A
Reset function	Only externally (remote)
Monitor output	Absent
Monitor lamp	Present
Mounting	DIN rail type, w/ mounting hole (2-φ 4-6)
Material	Polycarbonate
Weight	250 g (approx.)

### Connection Terminals and Wiring Example

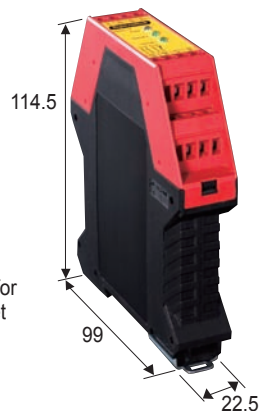


※ NOTE: Not designed for use in a direct circuit.

## Fail-safe Controller (open circuit detector; CE-certified)

The controller uses a high-accuracy safety double coil.

- PRSU-4

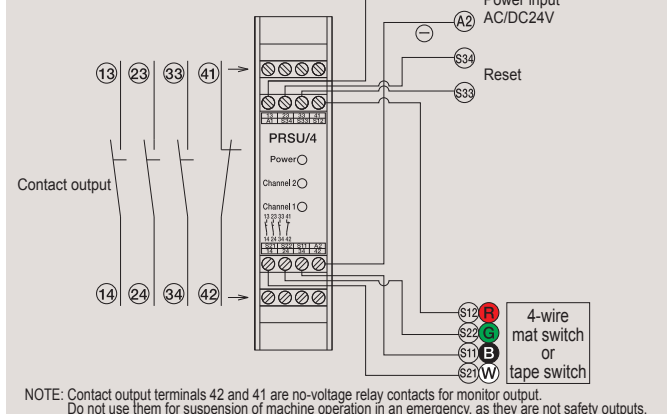


- ◆ The circuit of PRSU-4 is designed based on self-maintaining circuitry, calling for resetting each time the mat/tape switch is activated.
- ◆ If a direct circuit (without the need for resetting) is used, short-circuit reset terminals (S34) and (S33) with a lead wire. (See the diagram below.)

### Specifications

Safety class	3 (EN954-1)
Input voltage	DC24V
Power consumption	5W
Safety output	3 circuits (3a-contact)
Output contact	AC230V-5A
Reset function	Directly or externally (remote)
Monitor output	Present (in normal state; 1b-contact)
Monitor lamp	Absent
Mounting	DIN rail type, no mounting hole
Material	Polycarbonate
Weight	170 g (approx.)

### Connection Terminals and Wiring Example



NOTE: Contact output terminals 42 and 41 are no-voltage relay contacts for monitor output. Do not use them for suspension of machine operation in an emergency, as they are not safety outputs.

### 4-Wire Wiring Diagram

