



2-point fastener

Firmly secures OA-QTM at two points.



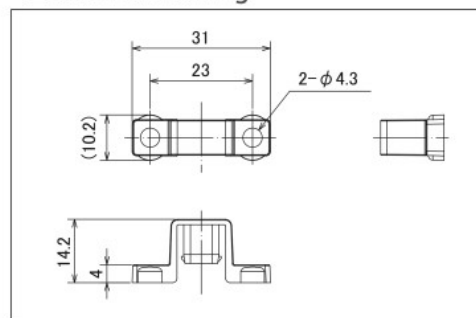
Model/Specification

Color: Black
Working temperature: -20°C to +80°C
Material: Nylon 66 (Flammability: UL94-V-2)

Model	Recommended torque for M4 screw	Applicable to	Weight	Sales unit
QTM-H1	0.735N·m (7.5kgf·cm)	OA-QTM series ※Excl. OA-QTM32	2g	10 pcs

※Screws are not included in the supply.

Outline drawing



Protection cap

This protection cap prevents dust accumulation on the gap between cabtyre cable and wires.



1. Keep dust away



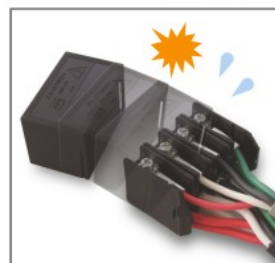
Prevents accumulation of dust between a cabtyre cables and wires

2. Neat looking



Putting on the Protection Cap provides better looking

3. Fall-off prevention



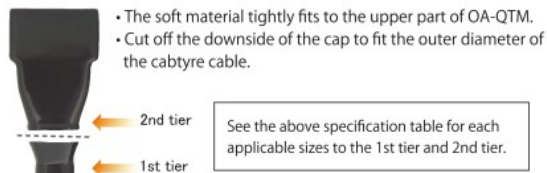
Prevents accidental fall-off of OA-QTM as its retaining tab is covered

Model/Specification

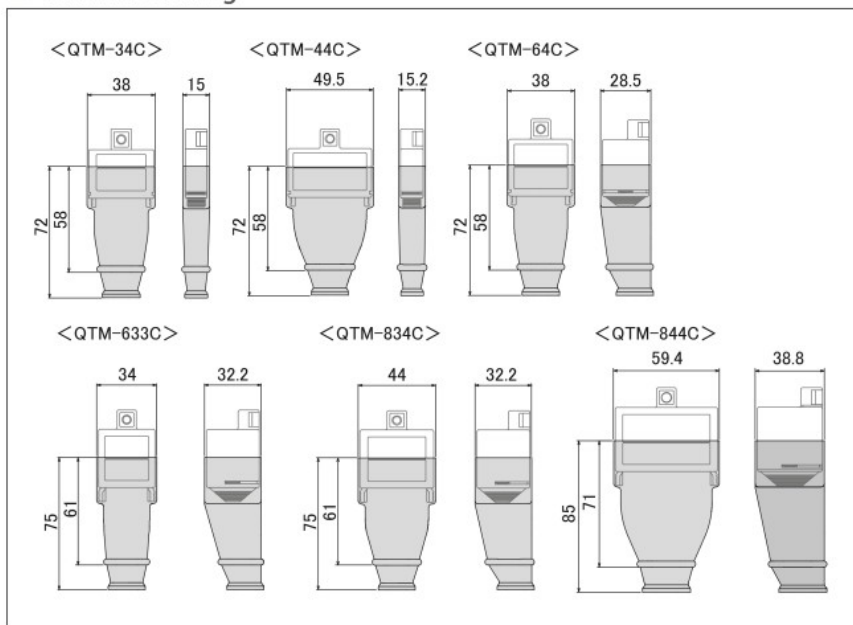
Color: Black
Working temperature: -20°C to +60°C
Material: Vinyl chloride

Model	Max. cable diameter		Applicable to	Weight	Sales unit
	1st tier	2nd tier			
QTM-34C	φ8 ×2 pcs	φ11 ×2 pcs	OA-QTM34	11g	20 pcs
QTM-44C	φ8 ×2 pcs	φ12 ×2 pcs	OA-QTM44	14g	
QTM-64C	φ8 ×4 pcs	φ11 ×4 pcs	OA-QTM64	15g	10 pcs
QTM-633C	φ8 ×4 pcs	φ10.5 ×4 pcs	OA-QTM633	14g	
QTM-834C	φ8 ×4 pcs	φ11.5 ×4 pcs	OA-QTM834	18g	
QTM-844C	φ11 ×4 pcs	φ14 ×4 pcs	OA-QTM844	26g	5 pcs

Note: Only occasionally the inner side of Protection Cap have some cavities due to air bubbles formed in DIP molding process. However, this will have no impact on functions.



Outline drawing



OHM ELECTRIC CO., LTD.

7000-21, Nakagawa, Hosoe, Kita-ku, Hamamatsu, Shizuoka 431-1304, Japan
TEL +81-53-522-5562 FAX +81-53-523-2362 e-mail : info@ohm.co.jp
URL : www.ohm.jp/

The contents of this catalog are subject to change for product improvement. Colors of products may slightly differ from actual due to printing.