



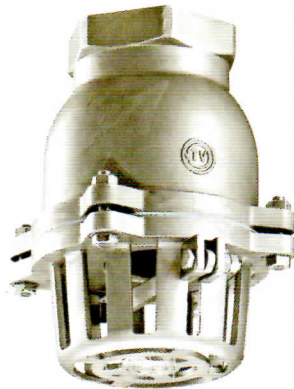
のフートバルブは、流体に応

Fig No.930 ●ステンレス製捻子込レバーなしフートバルブ

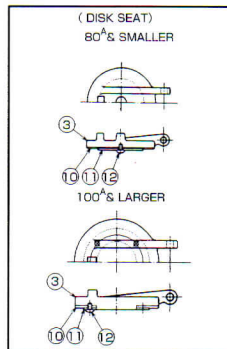
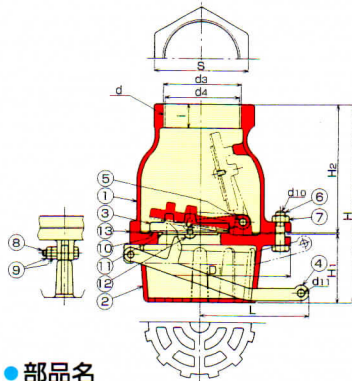
Fig No.934 ●ステンレス製フランジ型レバーなしフートバルブ

Fig No.931 ●ステンレス製捻子込レバー式フートバルブ

Fig No.935 ●ステンレス製フランジ型レバー式フートバルブ



10K



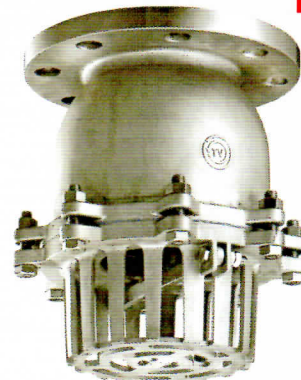
●部品名

| No. | NAME OF PARTS | MATERIALS | Q'TY |
|-----|-----------------|-----------|------|
| 1 | BODY | SCS13 | 1 |
| 2 | STRAINER | SCS13 | 1 |
| 3 | DISC | SCS13 | 1 |
| 4 | LEVER | SCS13 | 1 |
| 5 | HINGE PIN | SUS304 | 1 |
| 6 | HEX. BOLT | SUS304 | — |
| 7 | HEX. NUT | SUS304 | — |
| 8 | HEX. BOLT | SUS304 | 1 |
| 9 | HEX. NUT | SUS304 | 2 |
| 10 | DISC SEAT | NBR | 1 |
| 11 | RETAINING PLATE | SUS304 | 1 |
| 12 | SET SCREW | SUS304 | — |
| 13 | GASKET | V#6500 | 1 |

●寸法図

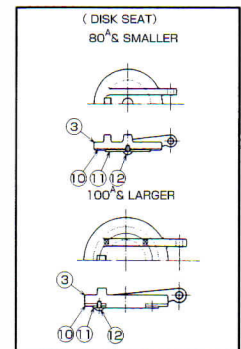
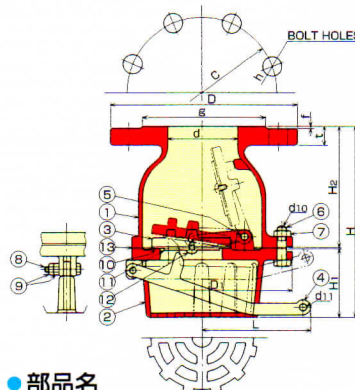
| SIZE | PIPE THREADS | | | | |
|------|--------------|----------------|----------------|-------------|----|
| | d | d ₃ | d ₄ | No. of Thd. | l |
| 40 | PT 1½ | 47.803 | 44.845 | 11 | 19 |
| 50 | PT 2 | 59.614 | 56.656 | 11 | 21 |
| 65 | PT 2½ | 75.184 | 72.226 | 11 | 24 |
| 80 | PT 3 | 87.884 | 84.926 | 11 | 26 |
| 100 | PT 4 | 113.030 | 110.072 | 11 | 30 |

| SIZE | S | H | H ₁ | H ₂ | D ₁ | L | d ₁₀ | d ₁₁ |
|------|-----|-----|----------------|----------------|----------------|-----|-----------------|-----------------|
| 40 | 60 | 153 | 57 | 95 | 134 | 82 | M8 | 7 |
| 50 | 74 | 168 | 62 | 105 | 150 | 87 | M8 | 7 |
| 65 | 90 | 188 | 67 | 120 | 170 | 102 | M8 | 7 |
| 80 | 105 | 208 | 72 | 135 | 186 | 108 | M8 | 7 |
| 100 | 135 | 250 | 84 | 165 | 229 | 130 | M10 | 9 |



JIS 10K

正厚



●部品名

| No. | NAME OF PARTS | MATERIALS | Q'TY |
|-----|-----------------|-----------|------|
| 1 | BODY | SCS13 | 1 |
| 2 | STRAINER | SCS13 | 1 |
| 3 | DISC | SCS13 | 1 |
| 4 | LEVER | SCS13 | 1 |
| 5 | HINGE PIN | SUS304 | 1 |
| 6 | HEX. BOLT | SUS304 | — |
| 7 | HEX. NUT | SUS304 | — |
| 8 | HEX. BOLT | SUS304 | 1 |
| 9 | HEX. NUT | SUS304 | 2 |
| 10 | DISC SEAT | NBR | 1 |
| 11 | RETAINING PLATE | SUS304 | 1 |
| 12 | SET SCREW | SUS304 | — |
| 13 | GASKET | V#6500 | 1 |

●寸法図

| SIZE | A | B | d | H | D | FLANGE | | | | | | | | | | | |
|------|----|-----|-----|-----|-----|------------|-----|-----|------|------|----|-----|----------------|----------------|----------------|-----|-----------------|
| | | | | | | BOLT HOLES | | | | BOLT | | | | | | | |
| | | | | | | C | NO. | h | SIZE | g | f | t | H ₁ | H ₂ | D ₁ | L | d ₁₀ |
| 40 | 1½ | 40 | 158 | 140 | 105 | 4 | 19 | M16 | 81 | 2 | 16 | 57 | 100 | 134 | 82 | M8 | 7 |
| 50 | 2 | 50 | 168 | 155 | 120 | 4 | 19 | M16 | 96 | 2 | 16 | 62 | 105 | 150 | 87 | M8 | 7 |
| 65 | 2½ | 65 | 183 | 175 | 140 | 4 | 19 | M16 | 116 | 2 | 18 | 67 | 115 | 170 | 102 | M8 | 7 |
| 80 | 3 | 80 | 198 | 185 | 150 | 8 | 19 | M16 | 126 | 2 | 18 | 72 | 125 | 186 | 108 | M8 | 7 |
| 100 | 4 | 100 | 240 | 210 | 175 | 8 | 19 | M16 | 151 | 2 | 18 | 84 | 155 | 229 | 130 | M10 | 9 |
| 125 | 5 | 125 | 280 | 250 | 210 | 8 | 23 | M20 | 182 | 2 | 20 | 109 | 190 | 260 | 150 | M10 | 9 |
| 150 | 6 | 150 | 326 | 280 | 240 | 8 | 23 | M20 | 212 | 2 | 22 | 115 | 210 | 290 | 158 | M12 | 9 |
| 200 | 8 | 200 | 429 | 330 | 290 | 12 | 23 | M20 | 262 | 2 | 22 | 129 | 300 | 365 | 193 | M16 | 14 |
| 250 | 10 | 250 | 487 | 400 | 355 | 12 | 25 | M22 | 324 | 2 | 24 | 166 | 320 | 440 | 230 | M20 | 14 |
| 300 | 12 | 300 | 605 | 445 | 400 | 16 | 25 | M22 | 368 | 3 | 24 | 198 | 405 | 515 | 265 | M20 | 14 |
| ※350 | 14 | 350 | 535 | 490 | 445 | 16 | 25 | M22 | 413 | 3 | 26 | 280 | 253 | 590 | 345 | M20 | 14 |

※350φから弁体が2枚弁になります。
 ※600φから弁体が4枚弁になります。