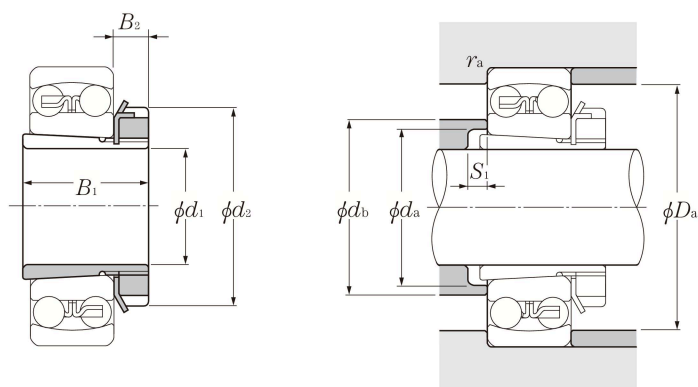


(for self-aligning ball bearings)



d 17 ~ 50mm

	Boundary dimensions mm				Bearing numbers	Abutment and fillet dimensions mm					Mass ¹⁾ kg (approx.)
	d_1	B_1	d_2	B_2		d_a min	d_b max	S_1 min	D_a max	r_{as} max	
17	24	32	7		1204SK;H 204	23	27	5	41	1	0.041
	28	32	7		2204SK;H 304	24	28	5	41	1	0.045
	28	32	7		1304SK;H 304	24	31	8	45	1	0.045
	31	32	7		2304SK;H2304	24	28	5	45	1	0.049
20	26	38	8		1205SK;H 205X	28	33	5	46	1	0.07
	29	38	8		2205SK;H 305X	29	33	5	46	1	0.075
	29	38	8		1305SK;H 305X	29	37	6	55	1	0.075
	35	38	8		2305SK;H2305X	29	34	5	55	1	0.087
25	27	45	8		1206SK;H 206X	33	39	5	56	1	0.099
	31	45	8		2206SK;H 306X	34	39	5	56	1	0.109
	31	45	8		1306SK;H 306X	34	44	6	65	1	0.109
	38	45	8		2306SK;H2306X	35	40	5	65	1	0.126
30	29	52	9		1207SK;H 207X	38	46	5	65	1	0.125
	35	52	9		2207SK;H 307X	39	45	5	65	1	0.142
	35	52	9		1307SK;H 307X	39	50	7	71.5	1.5	0.142
	43	52	9		2307SK;H2307X	40	46	5	71.5	1.5	0.165
35	31	58	10		1208SK;H 208X	44	52	5	73	1	0.174
	36	58	10		2208SK;H 308X	44	50	5	73	1	0.189
	36	58	10		1308SK;H 308X	44	56	5	81.5	1.5	0.189
	46	58	10		2308SK;H2308X	45	52	5	81.5	1.5	0.224
40	33	65	11		1209SK;H 209X	49	57	5	78	1	0.227
	39	65	11		2209SK;H 309X	49	57	8	78	1	0.248
	39	65	11		1309SK;H 309X	49	61	5	91.5	1.5	0.248
	50	65	11		2309SK;H2309X	50	58	5	91.5	1.5	0.28
45	35	70	12		1210SK;H 210X	53	62	5	83	1	0.274
	42	70	12		2210SK;H 310X	54	63	10	83	1	0.303
	42	70	12		1310SK;H 310X	54	67	5	100	2	0.303
	55	70	12		2310SK;H2310X	56	65	5	100	2	0.362
50	37	75	12		1211SK;H 211X	60	70	6	91.5	1.5	0.308

1) Refers to adapter mass.

Note: 1. For bearing dimensions, basic rated loads, and mass, refer to pages B-82 to B-84.

2. Adapters for series 12 bearings can also be used with H2 and H3 series bearings.

Caution: the B_1 dimension of H3 series bearings is longer than that of H2 series bearings.

3. Adapter numbers which are appended with the code "X" indicate narrow slit type adapters which use washer with straight inner tabs.

4. For adapter locknut and washer dimensions, please refer to pages C-2 to C-7, and C-12 to C-14.