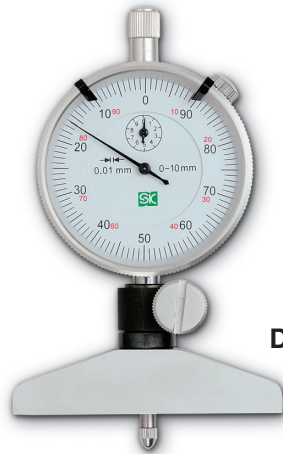
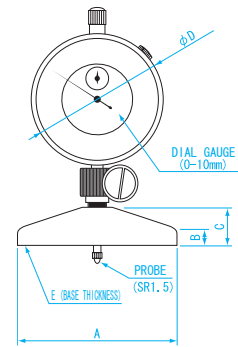


DIAL DEPTH GAUGES



DD-1050

DIMENSIONS



Units : mm

Model No.	A	B	C	D	E
DD-1050	50	7	18	60	16
DD-10100	100	7	18	60	16

USE • Depth measuring

MATERIALS

- Body, probe: steel

FEATURES

- Includes multiple extension rods (10mm·20mm·40mm·60mm·80mm), combined up to 210mm depths can be measured

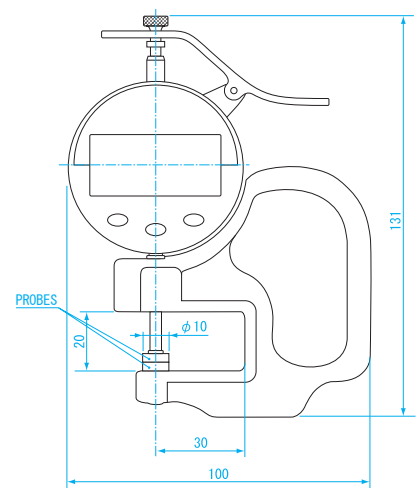
Order No.	Model No.	Measuring Range (mm)	Graduation (mm)	Weight
151711	DD-1050	Depth: up to 210 Dial gauge :10	0.01	280g
151712	DD-10100	Depth: up to 210 Dial gauge:10	0.01	350g

DIGITAL THICKNESS GAUGES



DIMENSIONS

Units : mm



USE • One touch thickness measurement of sheet material

MATERIAL • Body : Steel
• Probes : Ceramic

FEATURES • Digital display for easy reading
• Easy to operate for quick measurements
• Auto power off function (after 5 min.)
• Display hold function
• One CR2032 (Lithium) battery included for testing

Order No.	Model No.	Resolution (mm)	Measuring Range (mm)	Insert Depth (mm)	Accuracy* (μm)	Measuring Faces	Weight
151720	DES-3010	0.01	0-10	30	±20	φ10mm Flat	180g

* Quantization Error (± 1 digit) not included