

Packing (Lens packing, flat packing)

Used in pressure gauge storage seats. Selectable to match all types and sizes of piping materials.

Connection type:

Lens packing, flat packing

Material:

Lens packing ... Copper (C1100), stainless steel (SUS316)
 Flat packing ... Copper (C1100), resin (PTFE), leather
 Sheet gasket* (Black super)

Screw radius:

Lens Packing ... G3/8, G1/2 (Common use)
 Flat Packing ... G1/4, G3/8, G1/2

* Non-asbestos compatible product

Model number configuration

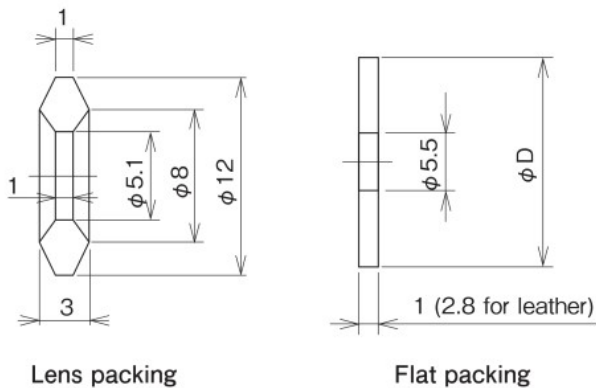
For ordering, please specify the model number and each specs.

Model

F	J	8	0	—																
Packing					①	②	③		④	⑤	⑥	⑦	⑧	⑨	⑩	⑪	⑫	⑬	⑭	⑮
Model number				Selective spec.				Additional spec. (Option)												
Model	8	0	Lens packing, flat packing																	

⑮ Documents	0	Nil
	1	Required (Please specify the desired documents separately.) Submission drawings, mill sheet

*Specify "X" if there is no specification item.



Lens packing

Material	Model number	Screw diameter	Weight (Approx.g)
Copper (C1100)	FJ80-001	G3/8	1.7
Stainless steel (SUS316)	FJ80-003	G1/2 (Common use)	1.4

* G1/4 can be manufactured.

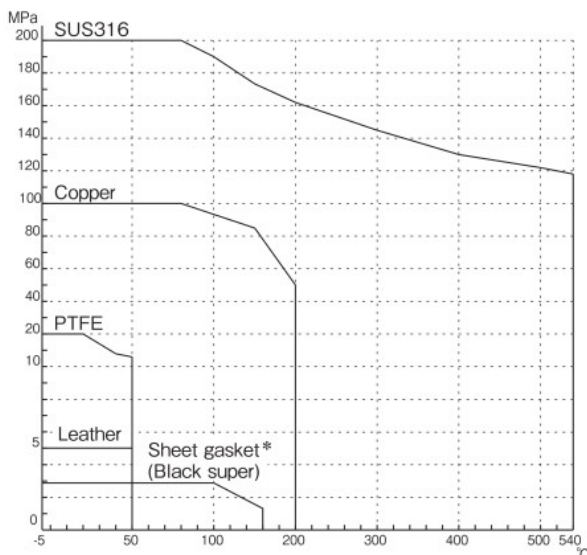
Flat packing

Material	Model number	D	Screw diameter	Weight (Approx.g)
Copper (C1100)	FJ80-201	11	G1/4	0.6
	FJ80-301	14	G3/8	1.1
	FJ80-401	18	G1/2	2.0
Resin (PTFE)	FJ80-204	11	G1/4	0.2
	FJ80-304	14	G3/8	0.3
	FJ80-404	18	G1/2	0.5
Leather	FJ80-206	11	G1/4	0.2
	FJ80-306	14	G3/8	0.3
	FJ80-406	18	G1/2	0.5
Sheet gasket* (Black super)	FJ80-207	11	G1/4	0.1
	FJ80-307	14	G3/8	0.3
	FJ80-407	18	G1/2	0.4

* Non-asbestos compatible product

Packing usage range

Packing temperature and maximum usable pressure relationship



* Non-asbestos compatible product