

RoHS Compliant

ERON®

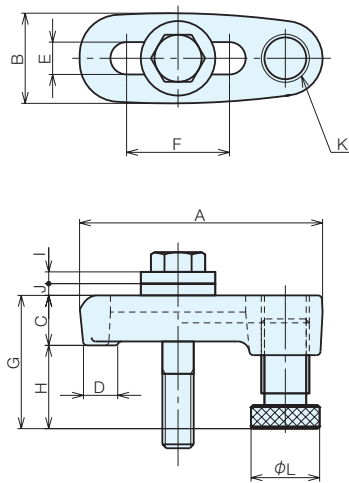
No.E-428

Injection Clamps

Material Bainite cast iron

Accessories Adjustment support screw 1 piece, bolt 1 piece, washer 2 pieces

- The main body is bainite cast iron, and will not break even under strong clamping forces.
- Can also be used for clamping molds for injection machines as well as clamping for machining.
- Can also be used with a T-slot table as long as you use T-slot nuts.



Specifications

Order No.	No.	Screw Diameter (Coarse Thread)	A	B	C	D	E	F	G	H	I	J	K	L
10665	ICM0012	M12X1.75	99	39	22.5	16	13	38	37.5-58.5	17-36	5	5	T120P2	35
10666	ICM0016	M16X2	124	46	25.5	18	17	52.5	43-68	19-44	6	6	T124P3	35
10667	ICM0020	M20X2.5	156	56	30.5	23	21	69	52.5-81.5	23-51	8	8	T128P3	45

Base Elements

Clamp Units

Clamping Parts

Machine Vises

Drilling Vises

Vibration
IsolationSurface Plates and
Measurement Instruments

Index