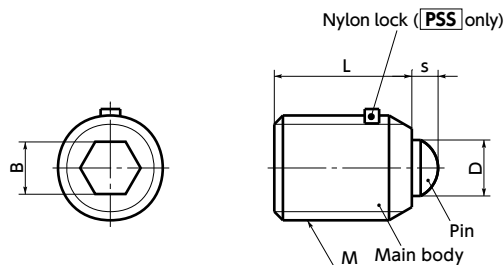


PSS / PSSS Small Plunger

[WEB Selection Tool](#)
[WEB CAD Download](#)
[SUS Stainless steel](#)


- **PSSS-1 PSSS-3** is all made of stainless steel. It is highly corrosion-resistant.
- **PSS-2 PSS-1** has a nylon lock for vibration resistant treatment (Except for M4).
- We also produce products of special specifications, e.g. dimensions, load and materials. → P.477
- Materials and load types can be selected by a product code.

Product Code	Material	Load Type
PSS-2	Steel	Light Load
PSS-1	Steel	Heavy load
PSSS-1	Stainless Steel	Heavy load
PSSS-3	Stainless Steel	Super heavy load

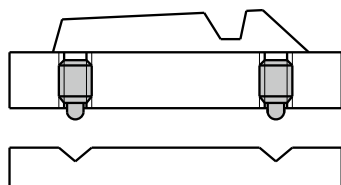
PSS-2 Made of Steel / Light Load **PSS-1** Made of Steel / Heavy Load

Unit : mm

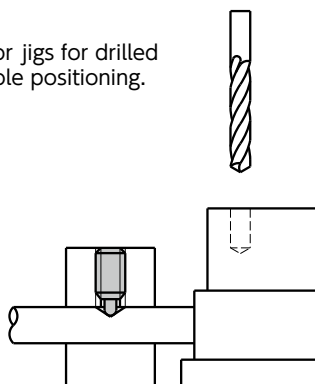
Part Number	M (coarse)	s	L	D	B	Applicable ball button BB → P.493	Load (N) min./max.	Mass (g)
PSS-4-2	M4	1.2	9	2.1	2	BB-4	1.6 / 5	0.6
PSS-5-2	M5	1.5	12	2.65	2.5	BB-5	2 / 7.8	1
PSS-6-2	M6	1.5	13	3.2	3	BB-8	2.9 / 9.8	1.5
PSS-8-2	M8	2	15	4	4	BB-8	2.9 / 9.8	3
PSS-10-2	M10	2.5	16	5	5	BB-10	4.9 / 15	5.5
PSS-12-2	M12	3.5	20	6	6	BB-12	4.9 / 15	10
PSS-16-2	M16	4.5	22	8	8	BB-12	9.8 / 29	20
PSS-4-1	M4	1.2	9	2.1	2	BB-4	2 / 9	0.6
PSS-5-1	M5	1.5	12	2.65	2.5	BB-5	4.9 / 15	1
PSS-6-1	M6	1.5	13	3.2	3	BB-8	5.9 / 20	1.5
PSS-8-1	M8	2	15	4	4	BB-8	5.9 / 20	3
PSS-10-1	M10	2.5	16	5	5	BB-10	9.8 / 29	5.5
PSS-12-1	M12	3.5	20	6	6	BB-12	9.8 / 29	10
PSS-16-1	M16	4.5	22	8	8	BB-12	20 / 59	20

● Usage example

For die positioning.



For jigs for drilled hole positioning.



[Cleanroom Wash & Packaging → P.792](#)

[Vibration Resistant → P.795](#)

[Laser Marking → P.806](#)

Please feel free to contact us

Available / Add'l charge

Not Available