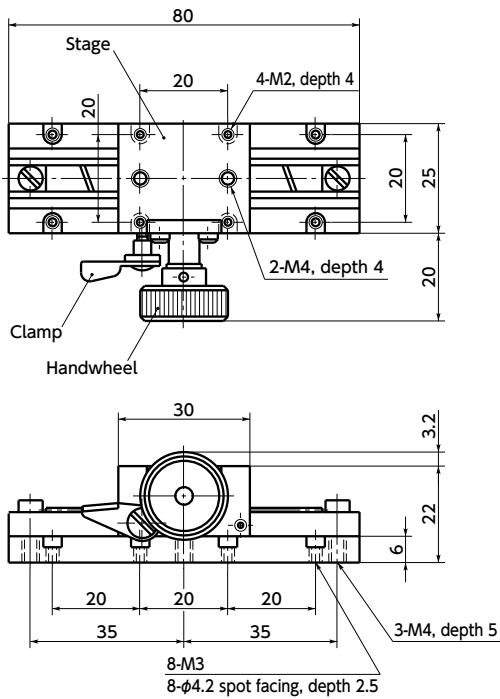


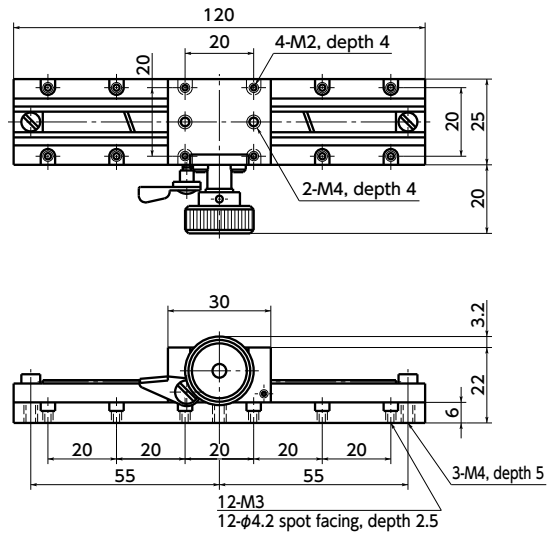
# TAR Miniature X - axis Rack - and - Pinion Stages

WEB Selection Tool    WEB CAD Download

**TAR-2581**



**TAR-25121**



**TAR-25161**

