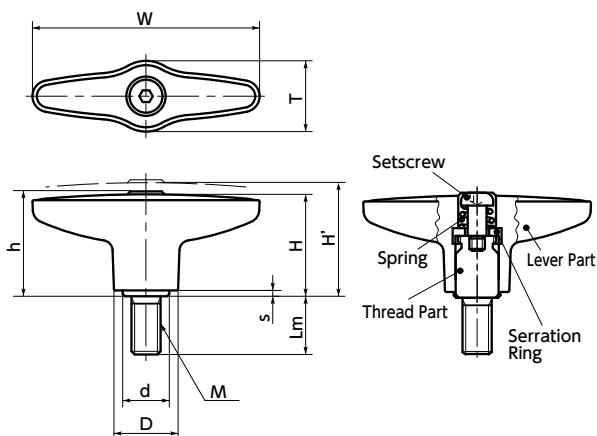


# LUDM / LUDMS Plastic Clamp Lever, Male Screw

Additional Size

WEB Selection Tool | WEB CAD Download | SUS Stainless steel



## Material/Finish

RoHS Compliant

	LUDM	LUDMS
Lever Part	Nylon 6 (Various Color)	Nylon 6 (Various Color)
Thread Part	SUM22L Ferrosferric Oxide Film (Black)	SUS303
Setscrew	SUM22L Ferrosferric Oxide Film (Black)	SUS303
Serration Ring	Zinc die cast	Zinc die cast
Spring	SWPB	Stainless Steel Wire

- A double arm type clamp lever made of plastic.
- Designed in consideration of the seven principles of universal design. A shape for easy application of forces and operations.
- About Universal Design → P.264
- The rotating radius is about a half of plastic clamp levers. Space-saving.
- A serration ring made of zinc die cast is inserted into the lever body made of plastic. They also realize sufficient strength for fitting with metal thread serration.
- There are two types of part materials:
  - LUDM** — Made of steel
  - LUDMS** — Made of stainless steel
- A rich variety of thread sizes from M3 to M12 are available.
- Five-color variations support the color universal design of machines / devices. Two-tone color of dark gray and various colors.
- Lever part colors can be selected by the end symbol of the part number.

End Symbol	Lever Part Color
<b>BK</b>	Matte black
<b>SG</b>	Matte Silver
<b>OR</b>	Matte orange
<b>BL</b>	Matte blue
<b>YW</b>	Matte yellow

## Dimensions

Unit : mm

Part Number Screw : Steel	Part Number Screw : Stainless steel	W	M (Coarse)	H	H'	h	s	T	D	d	Number of Teeth	Max.*1 load (N)	Max.*1 clamping force (kN)	Mass (g)
<b>LUDM-52-3</b>	<b>LUDMS-52-3</b>	52	M3	23.5	27	24.5	1.5	15.4	14	10	18	15	0.95	15 - 16
<b>LUDM-52-4</b>	<b>LUDMS-52-4</b>	52	M4	23.5	27	24.5	1.5	15.4	14	10	18	36	1.7	16 - 17
<b>LUDM-52-5</b>	<b>LUDMS-52-5</b>	52	M5	23.5	27	24.5	1.5	15.4	14	10	18	72	2.7	17 - 21
<b>LUDM-52-6</b>	<b>LUDMS-52-6</b>	52	M6	23.5	27	24.5	1.5	15.4	14	10	18	120	3.8	17 - 23
<b>LUDM-67-6</b>	<b>LUDMS-67-6</b>	67	M6	30	34	31	2	20.8	19	13.5	24	94	3.8	37 - 46
<b>LUDM-67-8</b>	<b>LUDMS-67-8</b>	67	M8	30	34	31	2	20.8	19	13.5	24	230	7	40 - 55
<b>LUDM-67-10</b>		67	M10	30	34	31	2	20.8	19	13.5	24	460	11	45 - 86
<b>LUDM-78-8</b>	<b>LUDMS-78-8</b>	78	M8	35	39	36	2	24.3	22	16	26	200	7	62 - 83
<b>LUDM-78-10</b>	<b>LUDMS-78-10</b>	78	M10	35	39	36	2	24.3	22	16	26	390	11	66 - 97
<b>LUDM-78-12</b>		78	M12	35	39	36	2	24.3	22	16	26	690	16	76 - 114
<b>LUDM-93-12</b>	<b>LUDMS-93-12</b>	93	M12	41	45	43	3	28.5	26	19	28	580	16	117 - 154

\*1 About the definition of max. load / max. clamping force → P.270

## Related Products

Female screw type **LUDF**  
**LUDFS** with the same shape as  
**LUDM** / **LUDMS** is available.  
 → P.280



- Part number specification

### LUDM-93-12-80-YW

① ② ③

Select a ② thread length Lm from the dimension table.

Cleanroom Wash & Packaging → P.792	Screw Combination → P.798	Screw Length Adjustment → P.796	Vibration Resistant → P.795	Laser Marking → P.806
Please feel free to contact us	Not Available	Available / Add'l charge	Not Available	Available / Add'l charge